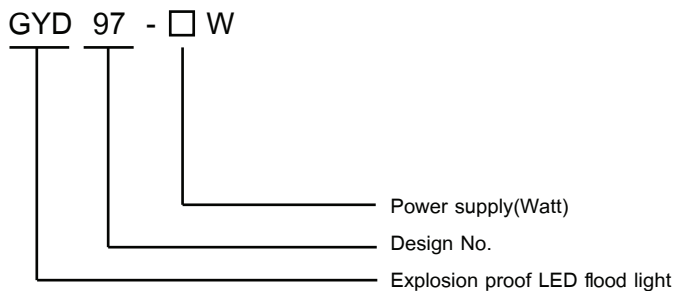


GYD97 - Explosion-proof LED flood Light(IIC, DIP)

Model implication



Applications

- ▶ Suitable for explosive gas environment zone 1 and zone 2.
- ▶ Suitable for IIA, IIB, IIC class explosive gas environment.
- ▶ Suitable for Combustible dust environment 21 zone, 22 zone.
- ▶ Adapt in areas for flammable or explosive vapors or gases presented, both indoors and outdoors where temperature of T4/T6, long working life and low maintenance are requested.
- ▶ Designed for petroleum refineries, chemical, petrochemical and pharmaceutical plants, oil terminal, gas station, power plant and other heavy treatment facilities.

Technical parameters

- ▶ Explosion-proof mark: Exd IIC T6
- ▶ Rated voltage: AC220V
- ▶ Power supply: 20W-300W
- ▶ Certificate: CE, ATEX, ISO, RoHS
- ▶ LED source: Original Cree USA
- ▶ Driver: Meanwell driver
- ▶ Lumen efficiency: 130lm/W (LED itself: 145-155lm/W)
- ▶ Color temperature: 5500K-7000K
- ▶ Mounting Styles: Pendant, Ceiling, Wall Bracket, Street Mount
- ▶ CRI: >80
- ▶ Power factor: >0.95
- ▶ Corrosion proof: WF2
- ▶ Lamp body material: Aluminum alloy
- ▶ Lens material: Tempered glass
- ▶ Working Life: 50,000 hours

Stitech Co.,Ltd.

79/30 Delight @ Scene, Chatuchot Road., Ao Ngoen, Sai Mai, Bangkok 10220

Tel: 080-556-5553, 084-695-7422 Fax: 02-101-6682

E-mail: info@stitech.co.th

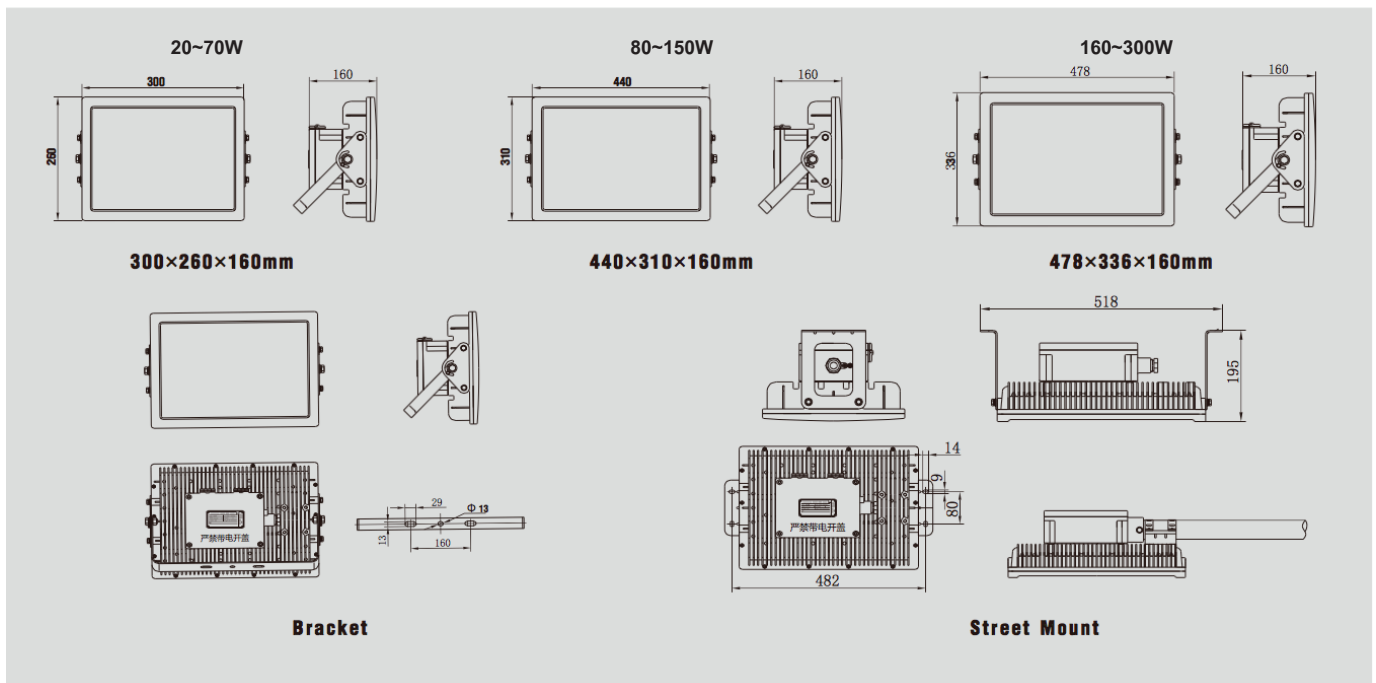
www.stitech.co.th

GYD97 - Explosion-proof LED flood Light(IIC, DIP)

Features

- ▶ Explosion proof ATEX Authorized and CE, ISO, ROHS certified.
- ▶ Aluminum ally heat fins, epoxy powder coated, good heat dissipation, surface temperature <math><85^{\circ}\text{C}</math>, adapt to explosive gas atmosphere temperature T4/T6.
- ▶ Excellent silicon&glue gasketing sealed, achieve IP65/IP66 dust&water proof, guarantee operation stable in hazardous gas area, WF1/WF2 corrosive zone.
- ▶ Multi-mounting arrangements to suit any lighting layout.
- ▶ Original Cree LED chip 130lm/W optional.
- ▶ As strategic cooperater with Meanwell, all our lights are assembled original meanwell LED driver, bright illumination, >50,000 hour worklife

Outline & Mounting Dimension(mm)



Stitech Co.,Ltd.

79/30 Delight @ Scene, Chatuchot Road., Ao Ngoen, Sai Mai, Bangkok 10220

Tel: 080-556-5553, 084-695-7422 Fax: 02-101-6682

E-mail: info@stitech.co.th

www.stitech.co.th