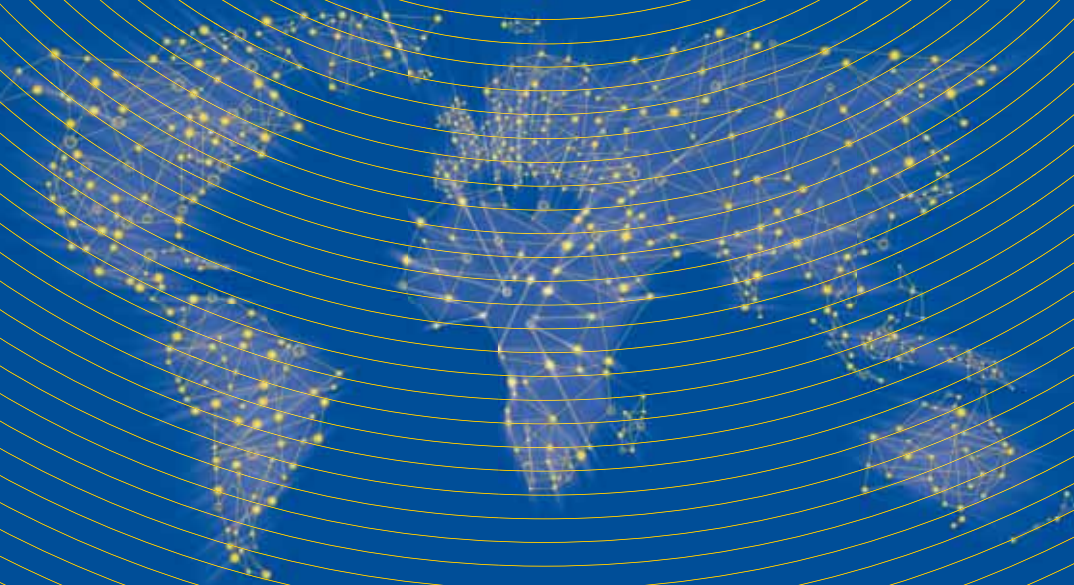




GENERAL
CATALOGUE

2014-2015



Palazzoli
Leading Electrotechnology



GENERAL

ENERGYBOX
inlet distribution boards

Page 217



ENERGY METALBOX
distribution boards
in metal cabinets

Page 218



ENERGY TAIS
distribution boards on
stainless steel support

Page 224

on plate

Page 222



PORTABLE

ENERGYBOX
distribution boards in
insulating box

Page 226



JANUS
universal
distribution boards

Page 232



ENERGY GO
portable distribution boards

Page 234

transformation

Page 237





DISTRIBUTION AND TRANSFORMATION ACS BOARDS



SUPPORT

MOBILE

TURRET

WALL-MOUNTED



Conformity to standards	IEC/EN 61439-1 IEC/EN 61439-4
Material	Self extinguishing high density technopolymer
Protection rating (IP as per IEC/EN 60529)	IP65
Colour	RAL7035
Resistance to abnormal heat and fire ("Glow Wire" as per IEC/EN 60695-2-10)	650°C
Resistance to impacts (IK rating as per IEC/EN 62262)	IK08
Rated current	32A - 63A - 100A - 125A
Rated voltage	230V-400V
Frequency	50-60Hz
Breaking capacity	6kA
RCD type	AC
Rated insulation voltage	500V
Storage temperature	-30°C - +70°C
Operating temperature	-25°C - +50°C

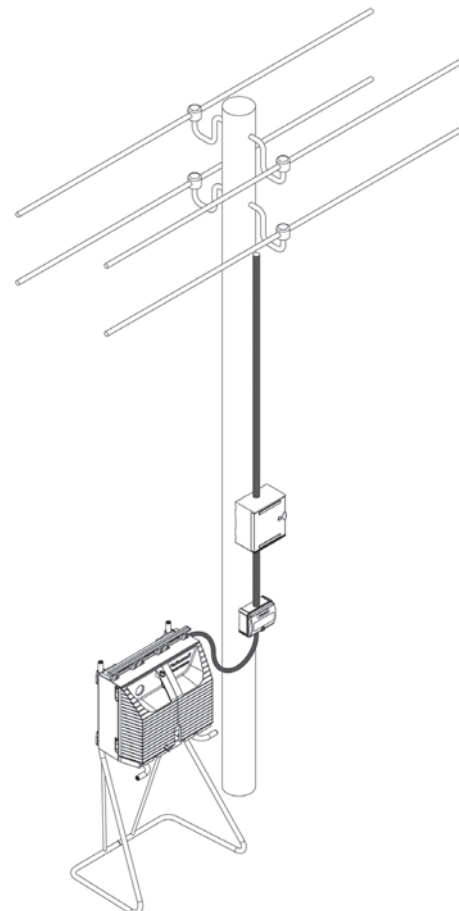


Assemblies for Construction Sites (ACS) inlet board with main switch to protect power supply line 50-60Hz **IP65**

General circuit breaker (A)	Max distributable power (kW)	RCD (mA)	Palazzoli code	Pack Q.ty
32	18	30	611032	1
63	35	300	611063	1
100	55	300	611100	1
125	70	300	611125	1

Characteristics: distribution board with lockable door.

Uses: distribution board to be installed downstream of the energy meter. It protects the line that goes from the general building site delivery to the distribution board.





Suitable for temporary energy distribution



Energy distribution protected by a metallic shell with protective coating

THE ADVANTAGES



Thanks to robust fixing plates on the back, cabinets can be easily wall mounted without any additional accessories.



Lifting eye bolts are included in the cabinet, make positioning operations very simple on construction and building sites.



The emergency push-button located in the middle of the cabinet is always well visible and accessible even with closed lid, to guarantee the maximum safety and a quick operation.



The cabinet is made of painted zinc steel. The doors have metallic hinges and can be closed with triangular key.



The range ENERGY METAL BOX is composed of building site distribution boards in metallic cabinet with moulded sockets. The enclosure is in steel sheet and is equipped with doors with double closure to prevent the access to connection and disconnection operations to non-authorized personnel.

Conformity to standards	IEC/EN 61439-1 IEC/EN 61439-4
Material	15/10mm steel sheet (enclosure) 25/10mm steel sheet (back plate)
Painting	Hot polymerized non-toxic polyester
Protection rating (IP as per IEC/EN 60529)	IP65
Colour	RAL5015
Resistance to impacts (IK rating as per IEC/EN 62262)	IK10
Rated current	63A - 80A - 100A - 125A - 200A
Rated voltage	400V
Rated frequency	50-60Hz
Rated insulation voltage	500V
Storage temperature	-30°C - +70°C
Operating temperature	-25°C - +50°C



Support frames
for cabinets

Dimensions (mm)	Palazzoli code	Pack Q.ty
590x690	500886	1



Cabinet
in painted zinc steel

Dimensions (mm)	Palazzoli code	Pack Q.ty
1160x740x430	500884	1
1530x740x430	500885	1



Assemblies for Construction Sites (ACS) in metallic cabinet with **direct outputs** protected by **MCBs** 50-60Hz **IP65**

General circuit breaker A/kW	MCBs					Palazzoli code	Pack Q.ty
	230V 2P		400V 4P				
	16A	25A	16A	32A	63A		
63/40	2		2	1		675101	1
80/50	2		1	2		675102	1
125/78			2	2	2	676101	1
125/78				4	2	676102	1
100/62	2		1	4		677101	1
125/78		2		3	2	677102	1
100/62	3		1	4		678101	1
125/78		3		3	2	678102	1



Assemblies for Construction Sites (ACS) in metallic cabinet with **interlocked sockets** protected by **MCBs** 50-60Hz **IP65**

General circuit breaker A/kW	Interlocked sockets						Palazzoli code	Pack Q.ty
	16A 2P+N 230V	16A 3P+N 400V	32A 3P+N 400V	32A 3P+N+N 400V	63A 3P+N 400V	63A 3P+N+N 400V		
63/30	3	1	1				675001	1
100/60	1	2	1	1			675002	1
100/50	3	2	1				676001	1
100/50	3	2		1			676002	1
100/50	2	3		1			676003	1
100/60	2	2	2				676004	1
100/60	3	2	2				677001	1
100/60	2	2	3				677002	1
200/100	2	2	2			1	677003	1
100/60	2	2		3			677004	1
200/100	3	2	2			1	678001	1
200/100	2	2		2	1	1	678002	1



Assemblies for Construction Sites (ACS) in metallic cabinet with **interlocked sockets** protected by **fuses** 50-60Hz **IP65**

General circuit breaker A/kW	Interlocked sockets						Palazzoli code	Pack Q.ty
	16A 2P+N 230V	16A 3P+N 400V	32A 3P+N 400V	32A 3P+N+N 400V	63A 3P+N 400V	63A 3P+N+N 400V		
63/100	3	1	1				685001	1
100/60	1	2	1	1			685002	1
100/50	3	2	1				686001	1
100/50	3	2		1			686002	1
100/50	2	3		1			686003	1
100/60	2	2	2				686004	1
100/60	3	2	2				687001	1
100/60	2	2	3				687002	1
200/100	2	2	2			1	687003	1
100/60	2	2		3			687004	1
200/100	3	2	2			1	688001	1
200/100	2	2		2	1	1	688002	1



ENERGY TAIS is a range of Assemblies for Construction Sites (ACS) that can be wall mounted or installed on a support. For this range the best materials have been chosen for supports and sockets, to guarantee a perfect resistance to impact, UV rays, weather conditions, dusts and corrosive agents which are typically present in building sites. Assemblies are customizable on request in order to satisfy any requirement. We recommend installation of ENERGY TAIS on all building sites, above all heavy duty ones and those which have to work for months.

MOVABLE

Thanks
to lateral handles
and support cramps



CUSTOMIZABLE

Contact the Palazzoli
Technical Service, to explore
your requirements



ALWAYS AT HAND

Thanks
to the open
support with roof





Conformity to standards	IEC/EN 61439-1 IEC/EN 61439-4
Material	Thermosetting (boards on plate) Stainless steel AISI304 (support plate and roof)
Protection rating (IP as per IEC/EN 60529)	IP65
Resistance to impacts (IK rating as per IEC/EN 62262)	IK10
Rated current	63A - 100A - 200A - 250A
Rated voltage	400V
Rated frequency	50-60Hz
RCD type	A
Rated insulation voltage	500V
Storage temperature	-50°C - +80°C
Operating temperature	-25°C - +50°C



Assemblies for Construction Sites (ACS) with 3 interlocked sockets protected by MCBs 50-60Hz IP65

General circuit breaker A/kW	Interlocked sockets					Palazzoli code	Pack Q.ty
	16A 2P+ \neq 230V	16A 3P+ \neq 400V	16A 3P+N+ \neq 400V	32A 3P+ \neq 400V	32A 3P+N+ \neq 400V		
40/22	2	1				500700	1
40/22	2		1			500701	1
63/35	1	1			1	500711	1
63/35	2			1		500714	1

Characteristics: emergency stop device. Internal and external protection circuit. Lamp signalling presence of voltage.



Assemblies for Construction Sites (ACS) with 5 interlocked sockets protected by MCBs 50-60Hz IP65

General circuit breaker A/kW	Interlocked sockets					Palazzoli code	Pack Q.ty
	16A 2P+ \neq 230V	16A 3P+ \neq 400V	16A 3P+N+ \neq 400V	32A 3P+ \neq 400V	32A 3P+N+ \neq 400V		
63/35	2	2			1	500722	1
63/35	2	2		1		500723	1
63/35	3	1			1	500726	1
63/35	3		1		1	500727	1

Characteristics: emergency stop device. Internal and external protection circuit. Lamp signalling presence of voltage.



Assemblies for Construction Sites (ACS) on support with **direct outputs** protected by **MCBs** 50-60Hz IP65

General circuit breaker A/kW	MCBs 400V 4P				Support type	Palazzoli code	Pack Q.ty
	16A	25A	32A	63A			
100/60		1	4		MT1	500890	1
200/120		1	3	1	MT1	500891	1
200/120		1	4	1	MT2	500892	1
250/150		1	2	3	MT2	500893	1
200/120	1	2	3	1	MT2	500894	1
250/150		2	3	2	MT2	500895	1
200/120	1	3	3	1	MT3	500896	1
250/150		3	3	2	MT3	500897	1

Characteristics: emergency push-button and signalling lamp. Lamp indicating presence of voltage.



Assemblies for Construction Sites (ACS) on support with **interlocked sockets** protected by **MCBs** 50-60Hz IP65

General circuit breaker A/kW	Interlocked sockets						Trasf. 16A 2P 24V	Support type	Palazzoli code	Pack Q.ty
	16A 2P+≐ 230V	16A 3P+≐ 400V	16A 3P+N+≐ 400V	32A 3P+≐ 400V	32A 3P+N+≐ 400V	63A 3P+N+≐ 400V				
63/35	3	1			1			MT1	500770	1
63/35	2	2		1				MT1	500767	1
63/35	2	2			1			MT1	500766	1
63/35	2		2		1			MT1	500768	1
63/35	3	1		1				MT1	500753	1
63/35	4	2						MT1	500762	1
100/50	2	2		2				MT2	500817	1
100/50	2	2			2			MT2	500816	1
63/35	2	2			1		1	MT1	500750	1
100/50	2			4			1	MT2	500792	1
100/50	2	2		3				MT2	500802	1
100/50	2	2		2			1	MT2	500800	1
100/50	2	2			3			MT2	500801	1
100/50	2			2	2		1	MT2	500790	1
100/50	2	2			2		1	MT3	500843	1
200/100	2	2		2		1	1	MT3	500841	1
200/100	2	2			2	1	1	MT3	500840	1
200/100	3	3		2				MT3	500835	1
200/100	3	3			2	1		MT3	500833	1
200/100	2	2		2		1	2	MT3	500831	1
200/100	2	2			2	1	2	MT3	500830	1

Characteristics: emergency push-button and signalling lamp. Lamp indicating presence of voltage.



Assemblies for Construction Sites (ACS) on support with **interlocked sockets** protected by **fuses** 50-60Hz IP65

General circuit breaker A/kW	Interlocked sockets						Trasf. 16A 2P 24V	Support type	Palazzoli code	Pack Q.ty
	16A 2P+≐ 230V	16A 3P+≐ 400V	16A 3P+N+≐ 400V	32A 3P+≐ 400V	32A 3P+N+≐ 400V	63A 3P+≐ 400V				
63/35	3	2						FS1	500874	1
63/35	3	1		1				FS1	500863	1
63/35	2	3						FS1	500872	1
63/35	2	2		1				FS1	500860	1
63/35	2	2			1			FS1	500861	1
100/50	2					2		MT2	500918	1
100/50	3	3			2			MT2	500916	1
100/50	3	2		2			1	MT2	500903	1
100/50	3	2			2		1	MT2	500904	1
100/50	2	2		2			2	MT2	500900	1
200/100	3	3			2	1		MT3	500949	1
200/100	4	2		2		1	1	MT3	500941	1
200/100	4	2			2		1	MT3	500943	1
200/100	4	2		2		1	2	MT3	500930	1
200/100	4	4		2		1		MT3	500933	1
200/100	4	4			2	1		MT3	500934	1
200/100	4	4		2		1		MT3	500935	1
200/100	4	2	2		2		1	MT3	500936	1

Characteristics: emergency push-button and signalling lamp. Lamp indicating presence of voltage.



Supports with stainless steel AISI 304 mounting plate and rain cover

Dimensions (mm)	Support type	Weight (kg)	Palazzoli code	Pack Q.ty
803x1335x565	FS1	38	501500	1
1118x1335x565	MT1	58	501501	1
1313x1335x565	MT2/FS2	51	501502	1
1853x1685x748	MT3/FS3	93	501503	1



Junction box with terminal block and canopy for supports
50-60Hz IP65

Box dimensions (mm)	For support type	Terminal block	N. entries	Entry type	Palazzoli code	Pack Q.ty
185x185	MT1/FS1	4x25mm ²	3	Pg36	500601	1
250x250	MT2/FS2	4x70mm ²	3	Pg42	500602	1
370x500	MT3/FS3	4x200mm ²	3	Pg48	500603	1

Equipment included: with rain cover, cable glands and terminal block.

Uses: it is fixed in its housing at the back of the stand. Ideal for distributing heavy loads.

DISCOVERY

Software for researching and asking of pre-wired assemblies.



Search your Palazzoli board



TECHNICAL DATA

P670033



Rated current	16A
Protection rating	IP66
Manufacture material	Thermoplastic
Product type	ACS board
Series	Energybox
Rated voltage	230V~
Frequency	50-60Hz



Sockets	Number of sockets
Domestic 2P+T10/16A P30/P17 230V	1
Industrial 16A 2P+T 220V	2

The software is free of charge and is available on www.palazzoli.com





ENERGY BOX is a complete range of Assemblies for Construction Sites (ACS) that can be wall mounted or installed on a support. Assemblies are realized inside a robust and workable enclosure in bi-component technopolymer with the back support resistant to fire, that allows storage and recycling for the next building site. We recommend to install ENERGY BOX in civil building sites, market areas, outdoor events, festivals and temporary electrical distribution.

ACCESSORIZABLE

Thanks to multiuse handle it can be accessorized with lamp and can be used as cable holder



RESISTANT SOCKETS

The integrated socket resist to eventual improper uses



SAFE

Thanks to the conical groove, cables are automatically clamped





Conformity to standards	IEC/EN 61439-1 IEC/EN 61439-4
Material	High density self-extinguishing technopolymer
Protection rating (IP as per IEC/EN 60529)	IP65
Colour	RAL5015
Resistance to abnormal heat and fire ("Glow Wire" as per IEC/EN 60695-2-10)	960°C (enclosure and socket switch) 850°C (contact holder insert) 650°C (switched socket body)
Resistance to impacts (IK rating as per IEC/EN 62262)	IK10
Rated current	32A - 63A - 80A
Rated voltage	230V-400V
Rated frequency	50-60Hz
RCD type	AC
Rated insulation voltage	500V
Storage temperature	-30°C - +70°C
Operating temperature	-25°C - +50°C



GUIDE FOR REALIZING ACS BOARDS

The guide for realizing your customized ACS board with PRIMA or topTER sockets.



Follow the instructions and you will be guided step by step choosing codes and fulfilling all the documents that have to be submitted to inspectors for health and safety of the workers inside the building site.

The guide can be seen and downloaded on www.palazzoli.com





General circuit breaker A/kW	Industrial sockets		Palazzoli code	Pack Q.ty
	16A 2P+ $\frac{\neq}{\neq}$ 230V	16A 3P+ $\frac{\neq}{\neq}$ 400V		
63/20	12		610012	1
63/40	6	6	610606	1

Equipment included: emergency stop device. 4 x brackets for Ø 30 mm conduit installation and 4 x plates for wall installation.

Assemblies for Construction Sites (ACS) with interlocked sockets protected by MCBs entry with terminal block 50-60Hz IP65



General circuit breaker A/kW	Interlocked sockets						2P+ $\frac{\neq}{\neq}$ P30/P17 10/16A	Palazzoli code	Pack Q.ty
	16A 2P+ $\frac{\neq}{\neq}$ 230V	16A 3P+ $\frac{\neq}{\neq}$ 400V	16A 3P+N+ $\frac{\neq}{\neq}$ 400V	32A 3P+ $\frac{\neq}{\neq}$ 400V	32A 3P+N+ $\frac{\neq}{\neq}$ 400V	63A 3P+ $\frac{\neq}{\neq}$ 400V			
32/7	4							614101	1
32/16	3	1						614102	1
32/20	3			1				614103	1
32/20	2	2						6141 04	1
32/20	2	1	1					614105	1
32/20	2	1		1				614106	1
32/20	1	2		1				614107	1
63/30	3	1		1				615101	1
63/30	3	1			1			615102	1
63/30	2	3						615103	1
63/30	2	2		1				615104	1
63/30	2	2			1			615105	1
63/30	2	1		1		1		615106	1
63/30	2	1	1		1			615107	1
63/30	4	2						616101	1
63/30	3	3						616102	1
63/30	3	2		1				616103	1
63/30	3	2			1			616104	1
63/40	2	3		1				616105	1
63/40	2	2		2				616106	1
63/40	2		2		2			616107	1
63/40	2	2		1	1			616108	1
63/30	2	3					1	616109	1
63/30	2	2					1	616110	1

Equipment included: emergency stop device. 4 x brackets for Ø 30 mm conduit installation and 4 x plates for wall installation.
Characteristics: code 616109 and 616110 are rated IP55.



Assemblies for Construction Sites (ACS) with interlocked sockets protected by MCBs entry with inlet 50-60Hz IP65

General circuit breaker A/kW	Interlocked sockets						Palazzoli code	Pack Q.ty
	16A 2P+≐ 230V	16A 3P+≐ 400V	16A 3P+N+≐ 400V	32A 3P+≐ 400V	32A 3P+N+≐ 400V	63A 3P+≐ 400V		
32/7	4						614001	1
32/16	3	1					614002	1
32/20	2	2					614003	1
32/20	2	1	1				614004	1
32/20	2	1		1			614005	1
63/30	3	1		1			615001	1
63/30	3	1			1		615002	1
63/30	2	2		1			615003	1
63/30	2	1		1		1	615004	1
63/30	2	1	1		1		615005	1
63/30	4	2					616001	1
63/30	3	3					616002	1
63/30	3	2		1			616003	1
63/30	3	2			1		616004	1
63/30	3		2		1		616005	1
63/40	2	3		1			616006	1
63/40	2	2		2			616007	1
63/40	2		2		2		616008	1
63/40	2	2		1	1		616009	1

Equipment included: emergency stop device. 4 x brackets for Ø 30 mm conduit installation and 4 x plates for wall installation.



Assemblies for Construction Sites (ACS) with interlocked sockets protected by fuses entry with terminal block 50-60Hz IP65


General circuit breaker A/kW	Interlocked sockets						Palazzoli code	Pack Q.ty		
	16A 2P+≐ 230V	16A 3P+≐ 400V	16A 3P+N+≐ 400V	32A 2P+≐ 230V	32A 3P+≐ 400V	32A 3P+N+≐ 400V			63A 3P+≐ 400V	63A 3P+N+≐ 400V
32/7	4						604101	1		
32/16	3	1					604102	1		
32/20	3			1			604103	1		
32/20	3				1		604104	1		
32/20	2	2					604105	1		
32/20	2	1	1				604106	1		
32/20	2	1			1		604107	1		
32/20	1	2			1		604108	1		
63/30	3	1			1		605101	1		
63/30	3	1				1	605102	1		
63/30	2	3					605103	1		
63/30	2	2			1		605104	1		
63/30	2	2				1	605105	1		
63/30	2	1	1			1	605106	1		
80/45	2	1			1		1	605107	1	
80/45	2		1			1		1	605108	1
63/30	4	2					606101	1		
63/30	3	3					606102	1		
63/30	3	2			1		606103	1		
63/30	3	2				1	606104	1		
63/40	2	3			1		606105	1		
63/40	2	2			2		606106	1		
63/40	2		2			2	606107	1		
63/40	2	2			1	1	606108	1		


Equipment included: emergency stop device. 4 x brackets for Ø 30 mm conduit installation and 4 x plates for wall installation.




501530

PLUG OR CABLE POWER SUPPLY

501590 Cable gland M40 with gasket in elastomer and locknut 

501591 Cable gland with gasket in elastomer and locknut and emergency button kit external to the distribution board 

501595 Industrial wall-mounted 63A 3P+N+⊕ inlet 

ACS boards with 6 sockets 27 modules (9+9+9) ACS boards with 6 sockets 18 modules (9+9) ACS boards with 4 sockets 18 modules (9+9)



579620



501560 + 579621



501565

579640

580250 Side coupling fitting distribution boards 

MOST USED PRIMA INTERLOCKED SOCKETS

PRIMA series

Compact horizontal watertight interlocked socket-outlets for installation on distribution boards - IP55



Rated current (A)	Frequency	Rated voltage	Voltage colour	Poles	h. ref.	Palazzoli code	Pack Q.ty
16	50-60Hz	230V		2P+⊕	6	495126	1
	50-60Hz	400V		3P+⊕	6	495136	1
	50-60Hz	400V		3P+N+⊕	6	495146	1
32	50-60Hz	230V		2P+⊕	6	495226	1
	50-60Hz	400V		3P+⊕	6	495236	1
	50-60Hz	400V		3P+N+⊕	6	495246	1

Note: other versions at page 48



Create your assembly with the new software **ACS COMPOSER** on www.palazzoli.com

in compliance with the Standard: EN 61439-1 EN 61439-4

with:
MCB protections
RCD protections
Conformity declarations
Tests
Cables to use





Empty box
for realizing
wired assemblies
up to 6 sockets

Description	Dimensions (mm)	Palazzoli code	Pack Q.ty
Empty box	680X605X340	501530	1

Equipment included: 4 x brackets for Ø 30 mm pipe installation and 4 x plates for wall installation.

Characteristics: the enclosure is designed to accommodate:

- Cable gland M40 code 501590.
- Enclosure with cable gland M40 and external emergency button code 501591.
- Appliance inlet.



Kit for entry
for wired assemblies

Description	Type	Palazzoli code	Pack Q.ty
Cable gland with elastomer gasket and locknut	M40	501590	1
Cable gland with elastomer gasket and locknut and kit for external emergency push button	M40	501591	1
Industrial inlet	63A 3P+N+⊕	501595	1



Cover with emergency push-button for Energybox IP55

For Energybox boards	Palazzoli code	Pack Q.ty
With 6 PRIMA interlocked sockets	501560	1

Characteristics: complete with signal lamp and 1 NO contact.



Box with emergency push-button for Energybox IP55

For Energybox boards	Palazzoli code	Pack Q.ty
With 4 PRIMA interlocked sockets	501565	1

Characteristics: complete with signal lamp and 1 NO contact.



Kit for ACS assemblies for 6 sockets,
with internal emergency
n. 6 topTER 16A and/or 32A

External dimensions (mm)	N. EN 50022 modules	Palazzoli code	Pack Q.ty
680x552x340	9+9	601532	1



Kit for ACS assemblies for 5 sockets,
with internal emergency
n. 4 topTER 16A and/or 32A
n. 1 topTER 63A

External dimensions (mm)	N. EN 50022 modules	Palazzoli code	Pack Q.ty
680x552x340	5+12	601563	1



Kit for ACS assemblies for 6 sockets,
with external emergency
n. 6 topTER 16A and/or 32A

External dimensions (mm)	N. EN 50022 modules	Palazzoli code	Pack Q.ty
680x552x340	9+9+9	601632	1



Kit for ACS assemblies for 5 sockets,
with external emergency
n. 4 topTER 16A and/or 32A
n. 1 topTER 63A

External dimensions (mm)	N. EN 50022 modules	Palazzoli code	Pack Q.ty
680x552x340	12+5+12	601663	1

Technical accessories:





Suitable for use in building sites, public events, circuses, trade fairs and market areas.



It doubles energy and halves the space

THE ADVANTAGES



The front lid allows the operators to access to the board protections any time in any place it is installed.



JANUS board integrates all the solutions to be installed both for wall mounting or on the floor, without any accessories.



The ergonomic handle allows easy transport of the board inside the building site.



The cable clamp groove avoids the possibility that the plug can be torn from the board when it is wall mounted.



The products of the JANUS series are a range of building site moulded distribution boards that can be folded and with IP65 protection rating.

The system is composed of distribution boards with 4 interlocked sockets or 8 panel sockets. All the products can be folded and used as portable or fixed distribution boards that can be wall mounted or placed on the floor without any accessories.

Conformity to standards	IEC/EN 61439-1 IEC/EN 67439-4
Material	Technopolymer
Protection rating (IP as per IEC/EN 60529)	IP65
Colour	RAL5015
Resistance to abnormal heat and fire ("Glow Wire" as per IEC/EN 60695-2-10)	650°C
Resistance to impacts (IK rating as per IEC/EN 62262)	IK10
Rated current	16A - 32A
Rated voltage	230V - 400V
Rated frequency	50-60Hz
RCD type	AC
Rated insulation voltage	500V
Plug	Multimax type
Cable length	2 m
Storage temperature	-30°C - +70°C



Resistance to chemical agents

WATER	SALINE ATMOSPHERES	ACIDS		CHEMICAL BASES		SOLVENTS			
		CONCENTRATED	DILUTED	CONCENTRATED	DILUTED	ALCOHOL	ACETONE	PERCHLOROETHYLENE	BENZENE
↑	→	→	↑	↑	↑	↑	↑	↑	↓
OILS		FATS		AMMONIA	OXIDIZERS	INORGANIC SALTS	GASOLINE	DETERGENTS	U.V. RAYS
MINERAL	VEGETABLE	ANIMAL	SYNTHETIC						
↑	↑	↑	↑	↑	→	↑	↑	↑	↑

Legend: ↑ high resistance → partial resistance ↓ low resistance



new



Assemblies for Construction Sites, foldable, with 4 interlocked sockets protected by MCBs entry with terminal block IP65

General circuit breaker A / kW	Interlocked sockets					Palazzoli code	Pack Q.ty
	16A 2P+⊕	16A 3P+⊕	16A 3P+N+⊕	32A 3P+N+⊕	2P+⊕ P30/P17 10/16A		
32/6	4					634101	1
32/18	3	1				634102	1
32/18	2	2				634104	1
32/18	2	1	1			634105	1
32/18	2	1		1		634106	1
32/6	3				1	634110	1

new



Assemblies for Construction Sites, foldable, with 4 interlocked sockets protected by fuses entry with terminal block IP65

General circuit breaker A / kW	Interlocked sockets					Palazzoli code	Pack Q.ty
	16A 2P+⊕	16A 3P+⊕	16A 3P+N+⊕	32A 3P+N+⊕	2P+⊕ P30/P17 10/16A		
32/6	4					644101	1
32/18	3	1				644102	1
32/18	3		1			644103	1
32/18	2	2				644104	1
32/18	2	1	1			644105	1
32/18	2	1		1		644106	1
32/6	3				1	644110	1

new



Assemblies for Construction Sites, foldable, with 4 interlocked sockets protected by MCBs entry with inlet IP65

General circuit breaker A / kW	Interlocked sockets					Palazzoli code	Pack Q.ty
	16A 2P+⊕	16A 3P+⊕	16A 3P+N+⊕	32A 3P+N+⊕	2P+⊕ P30/P17 10/16A		
32/6	4					634001	1
32/18	3	1				634002	1
32/18	2	2				634004	1
32/18	2	1	1			634005	1
32/18	2	1		1		634006	1
32/6	3				1	634010	1

new



Assemblies for Construction Sites, foldable, with 4 interlocked sockets protected by fuses entry with inlet IP65

General circuit breaker A / kW	Interlocked sockets					Palazzoli code	Pack Q.ty
	16A 2P+⊕	16A 3P+⊕	16A 3P+N+⊕	32A 3P+N+⊕	2P+⊕ P30/P17 10/16A		
32/6	4					644001	1
32/18	3	1				644002	1
32/18	3		1			644003	1
32/18	2	2				644004	1
32/18	2	1	1			644005	1
32/18	2	1		1		644006	1
32/6	3				1	644010	1

new



Assemblies for Construction Sites, foldable, with 8 industrial sockets protected by MCBs entry with inlet IP65

General circuit breaker A / kW	Industrial sockets					Palazzoli code	Pack Q.ty
	16A 2P+⊕	16A 3P+⊕	16A 3P+N+⊕	32A 3P+N+⊕	2P+⊕ P30/P17 10/16A		
32/18	4				4	638040	1
32/18	8					638041	1
32/18	4	4				638042	1

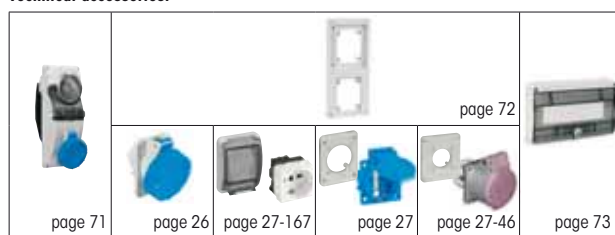
new



Empty box for realizing wired assemblies up to 4 interlocked sockets or 8 industrial sockets

External dimensions (mm)	Side A	Side B	Palazzoli code	Pack Q.ty
329x572x325	12 modules	blind	634100	1

Technical accessories:





Conformity to standards	IEC/EN 61439-1 IEC/EN 61439-4
Material	Technopolymer
Protection rating (IP as per IEC/EN 60529)	IP66
Colour	RAL7035
Resistance to abnormal heat and fire ("Glow Wire" as per IEC/EN 60695-2-10)	850°C (contact holder insert) 650°C (socket body and board)
Resistance to impacts (IK rating as per IEC/EN 62262)	IK08
Rated current	16A - 32A
Rated voltage	230V-400V
Rated frequency	50-60Hz
RCD type	AC
Rated insulation voltage	500V
Plug	CEE type anti-crushing for heavy duty uses
Cable length	4 m
Storage temperature	-30°C - +70°C
Operating temperature	-25°C - +50°C



Portable boards with **3 sockets**
MCB and RCD protection
50-60Hz **IP66**

16A 2P+≐ 230V	Sockets 16A 3P+≐ 400V	Domestic dual schuko	Inlet type	Protections MCB - RCD	Palazzoli code	Pack Q.ty
3			2P+≐ - 16A	16A 30mA	670030	1
2	1		3P+N+≐ - 16A	16A 30mA	670031	1
1	2		3P+N+≐ - 16A	16A 30mA	670032	1
2		1	2P+≐ - 16A	16A 30mA	670033	1

Equipment included: 4 Mtrs length of cable H 07 RN-F connected to the plug. Stainless steel plates for fixing to the wall.



Portable boards with **4 sockets**
MCB and RCD protection
50-60Hz **IP66**

16A 2P+≐ 230V	Sockets 16A 3P+≐ 400V	Domestic dual schuko	Inlet type	Protections MCB - RCD	Palazzoli code	Pack Q.ty
4			2P+≐ - 16A	16A 30mA	670040	1
3	1		3P+N+≐ - 16A	16A 30mA	670041	1
2	2		3P+N+≐ - 16A	16A 30mA	670042	1
	4		3P+≐ - 16A	16A 30mA	670043	1
2		2	2P+≐ - 16A	16A 30mA	670044	1

Equipment included: 4 Mtrs length of cable H 07 RN-F connected to the plug. Insulated handle for transport. Stainless steel plates for fixing to the wall.



Portable boards with **6 sockets**
MCB and RCD protection
50-60Hz **IP66**

16A 2P+≐ 230V	Sockets 16A 3P+≐ 400V	Domestic dual schuko	Inlet type	Protections MCB - RCD	Palazzoli code	Pack Q.ty
4	2		3P+N+≐ - 32A	32A 30mA	670060	1
3	3		3P+N+≐ - 32A	32A 30mA	670061	1
3	2	1	3P+N+≐ - 32A	32A 30mA	670062	1
6			3P+N+≐ - 32A	32A 30mA	670063	1

Equipment included: 4 Mtrs length of cable H 07 RN-F connected to the plug. Insulated handle for transport. Stainless steel plates for fixing to the wall.



Portable **boards**
with **sockets with safety transformers (SELV)**
50-60Hz **IP66**

With 2P 24V 150 VA transformer	Industrial 2P+± 230V	MCB	Palazzoli code	Pack Q.ty
2	2	2P 16A	670130	1
2		2P 16A	670140	1

Equipment included: self-protected safety transformer, 4 m of cable H 07 RN-F connected to the plug, insulating handle for transport.

Uses: essential in restricted conductor areas such as ditches, wells, fire places, cisterns and metal or humid tunnels, restrict excavations in the ground.

Technical accessories:



page 75

NOTES



The boards can be customized with lateral emergency push-button.



Universal support
for ACS Energybox boards

Manufacture material	Palazzoli code	Pack Q.ty
Painted and zinced steel	501540	1

Equipment included: 4 x brackets for Ø 30 mm pipe installation.



Cord rewind for extension leads
on ACS building site
distribution boards

Manufacture material	Palazzoli code	Pack Q.ty
Painted and zinced steel	501550	1

Equipment included: 2 x brackets and screws for Ø 30 mm pipe installation.



Universal support
for Energy Go boards

Manufacture material	Palazzoli code	Pack Q.ty
Stainless steel	570010	1

Equipment included: 4x stainless steel for fixing the board.



Steel support
for ACS Janus boards

Manufacture material	Palazzoli code	Pack Q.ty
Painted and zinced steel	601540	1



Palazzoli

