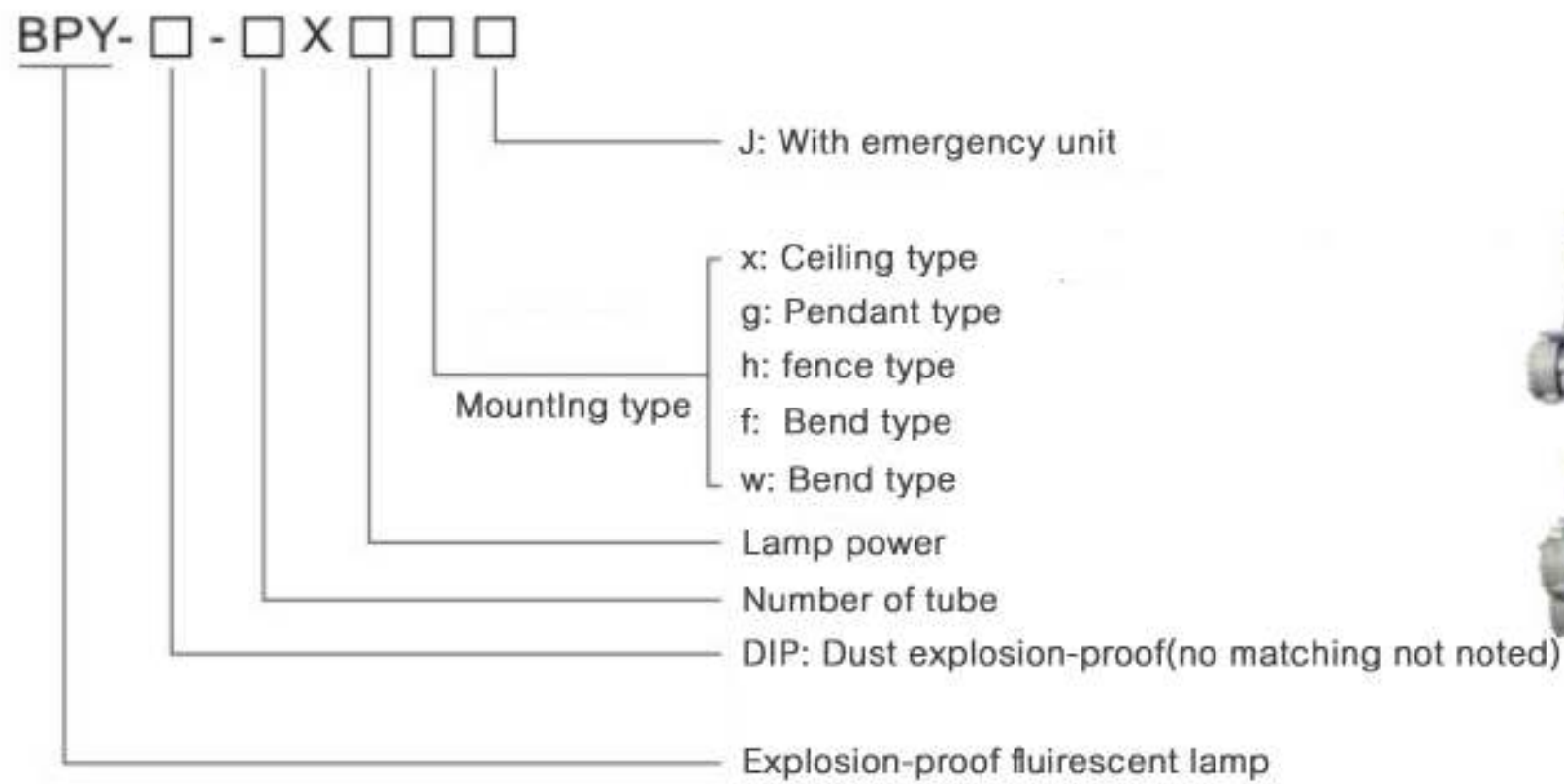


◆ Model implication



◆ Applications

- ◆ Pieces suitable for explosive gas environment 1 zone and 2 zone,
- ◆ Pieces suitable for IIA, IIB, IIC explosive gas environment,
- ◆ This product in Hazardous:zone20, zone21, zone22,
- ◆ Should apply to the temperature group for T1~T6 environment;
- ◆ T8 Bi-pin tube as lighting sources, and T5 Bi-pin tube as lighting sources
- ◆ Designed for petroleum exploitation, refinery, storage, chemistry, medicine, military and military facilities etc. sites with potential explosive atmosphere.

◆ Technical parameters

- ◆ Meet a criterion:GB3836.1, GB3836.2, GB12476.1, IEC60079-0, IEC60079-1, IEC61241-1, EN60079-0, EN60079-1, EN61241-1
- ◆ Explosion-proof mark: Exd II BT6 Gb, Exd II CT6 Gb, DIP A21 TA, T6
- ◆ Rated voltage: AC220V
- ◆ Lamp options: Selection Table
- ◆ protection grade: IP54, IP65, IP66*
- ◆ Explosion-proof grade: WF1
- ◆ Inlet thread: G¹/₂"
- ◆ Cable outer dia.: φ 6mm ~ φ 10mm
- ◆ Battery charging time: < 24h
- ◆ Emergency start time: < 0.3s
- ◆ Emergency lighting duration: > 90min

IP66 Requirements must be marked

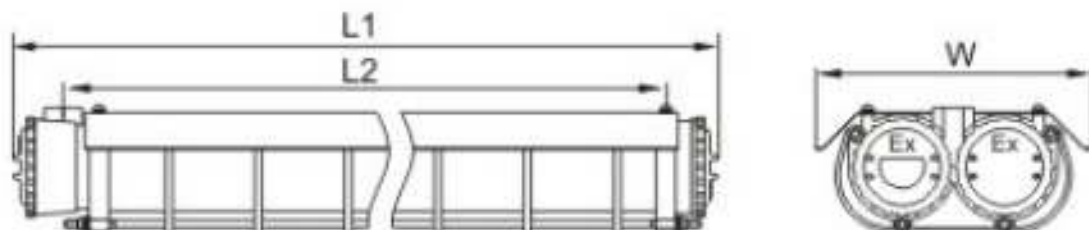
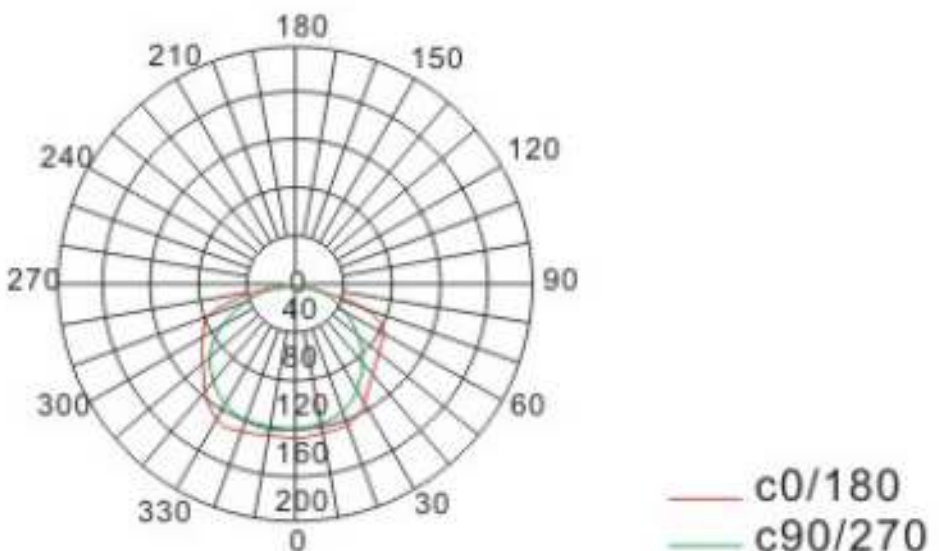
◆ Selection Table

Model	Tube	Power(W)	Luminous Flux(lm)	Lampholder	Model	Tube	Power(W)	Luminous Flux(lm)	Lampholder
BPY-1 × 14	T5	14	1000	G5	BPY-1 × 18	T8	18	3660	G13
BPY-1 × 28		28	2000		BPY-2 × 18		36	2500	
BPY-2 × 14		28	1830		BPY-1 × 36		36	5000	
BPY-2 × 28		56	3000		BPY-2 × 36		72	8000	
BPY-1 × 9	T5 LED	9	1800	G5	BPY-1 × 9	T8 LED	9	1800	G13
BPY-1 × 18		18	3600		BPY-2 × 9		18	3600	
BPY-2 × 9		18	3600		BPY-1 × 18		18	3600	
BPY-2 × 18		36	7200		BPY-2 × 18		36	7200	

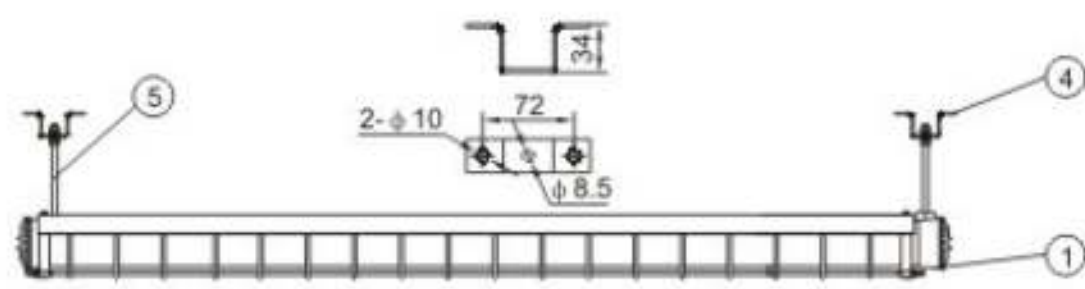
◆ Features

- ◇ Enclosure is die casted of aluminium alloy, high voltage electrostatic powder coated after shot blasted,
- ◇ High strength toughened glass cover,
- ◇ Exposed fasteners are of stainless steel,
- ◇ Lighting fitting with grids to adjust lighting effect and reduce the glare.
- ◇ Modular plug structure design, only need disconnect end cover draw out core to change tubes,
- ◇ For fittings with emergency unit, it will automatically shaft to emergency lighting when power circuit failed,
- ◇ Special over charging and over discharging protection circuit inside the emergency unit,
- ◇ Screw connection type, for easy installation and maintenance,
- ◇ Power factor can be over 0.95,
- ◇ Steel conduit or cable wirings.

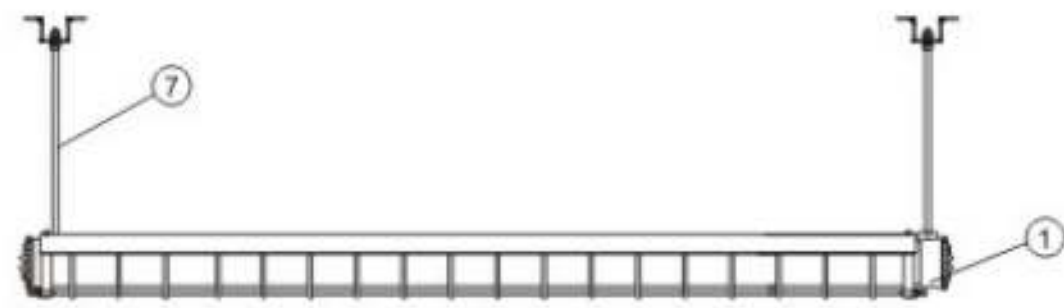
◆ Structure Dimensions and Photometry

BPY																																					
Dimensions	<div style="display: flex; align-items: center;">  <table border="1" style="margin-left: 20px;"> <thead> <tr> <th>Model</th> <th>L1</th> <th>L2</th> <th>W</th> </tr> </thead> <tbody> <tr> <td>BPY-1 × 14(9)</td> <td>692</td> <td>615</td> <td>150</td> </tr> <tr> <td>BPY-1 × 28(18)</td> <td>1255</td> <td>1175</td> <td>150</td> </tr> <tr> <td>BPY-2 × 14(9)</td> <td>692</td> <td>615</td> <td>205</td> </tr> <tr> <td>BPY-2 × 28(18)</td> <td>1255</td> <td>1175</td> <td>205</td> </tr> <tr> <td>BPY-1 × 18</td> <td>702</td> <td>625</td> <td>150</td> </tr> <tr> <td>BPY-1 × 36</td> <td>1310</td> <td>1235</td> <td>150</td> </tr> <tr> <td>BPY-2 × 18</td> <td>702</td> <td>625</td> <td>205</td> </tr> <tr> <td>BPY-2 × 36</td> <td>1310</td> <td>1235</td> <td>205</td> </tr> </tbody> </table> </div>	Model	L1	L2	W	BPY-1 × 14(9)	692	615	150	BPY-1 × 28(18)	1255	1175	150	BPY-2 × 14(9)	692	615	205	BPY-2 × 28(18)	1255	1175	205	BPY-1 × 18	702	625	150	BPY-1 × 36	1310	1235	150	BPY-2 × 18	702	625	205	BPY-2 × 36	1310	1235	205
Model	L1	L2	W																																		
BPY-1 × 14(9)	692	615	150																																		
BPY-1 × 28(18)	1255	1175	150																																		
BPY-2 × 14(9)	692	615	205																																		
BPY-2 × 28(18)	1255	1175	205																																		
BPY-1 × 18	702	625	150																																		
BPY-1 × 36	1310	1235	150																																		
BPY-2 × 18	702	625	205																																		
BPY-2 × 36	1310	1235	205																																		
Photometric curve cd/1000lm																																					

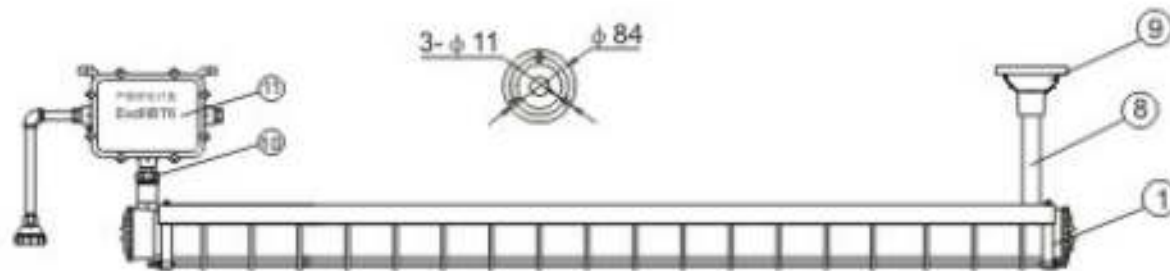
◆ Structure Dimensions



Ceiling type



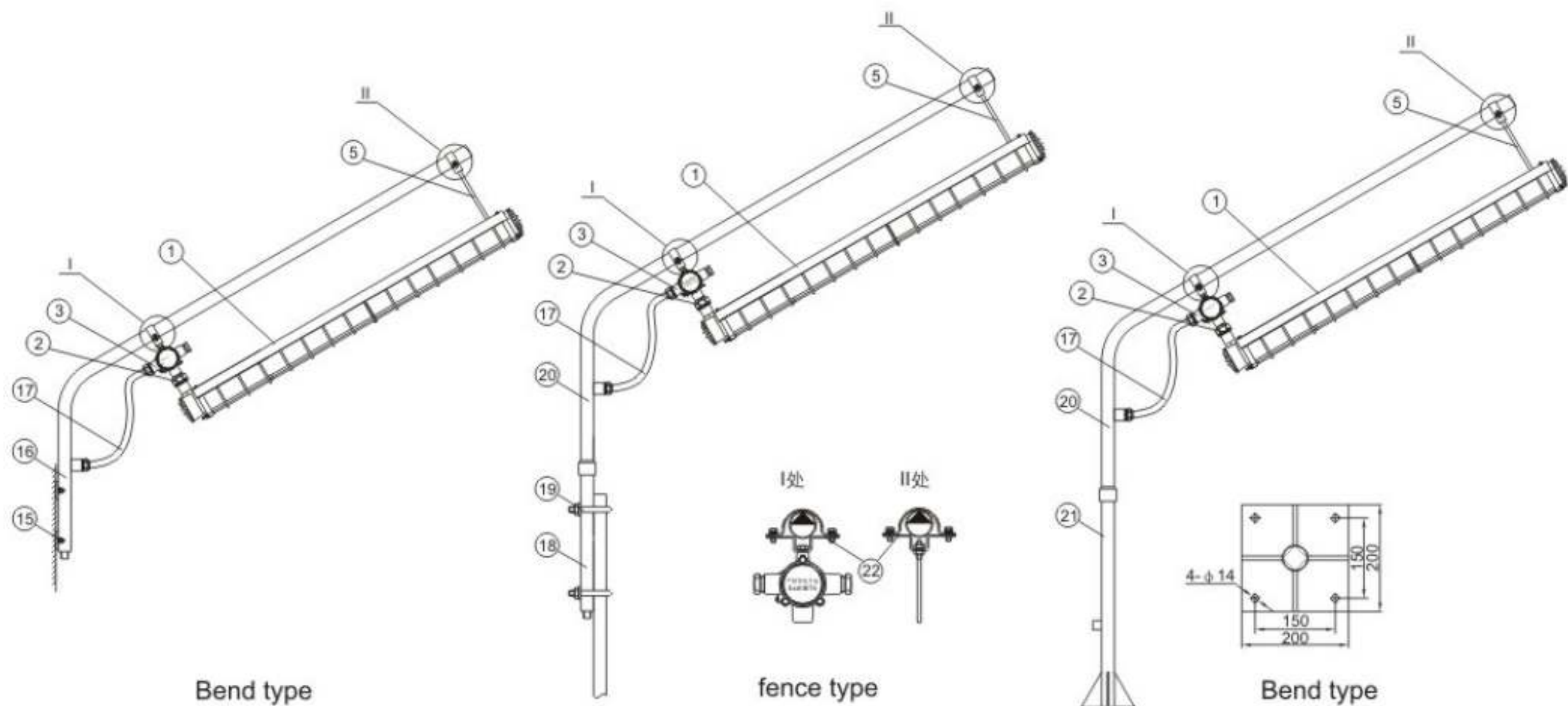
Pendant type



Ceiling type (With emergency unit)



Pendant type (With emergency unit)



Bend type

fence type

Bend type

No.	Name	Note	No.	Name	Note
1	Explosion-proof fluorescent lamp		12	Steel pipe G $\frac{1}{2}$ × 300mm	
2	BGJ-G1/2C Explosion proof connector		13	Steel pipe G $\frac{3}{4}$ × 150mm	
3	Explosion-proof junction box		14	Explosion-proof union BHJ-G3/4B	Equipped by user
4	Mounting bracket		15	Bolt M8	
5	Double screw M8 × 140mm		16	Cured rod G1 (Bend type)	
6	Steel pipe G $\frac{1}{2}$ " × 180mm		17	Explosion-proof flexible connecting pipe	Equipped by user
7	Double screw M8 × 300mm		18	Post type(fence type)	
8	Steel pipe G $\frac{1}{2}$ " × 220mm		19	Type pipe clamp G1 $\frac{1}{2}$ "	
9	Chuck G $\frac{1}{2}$ "		20	Cured rod G1 (fence type,Bend type)	
10	Explosion-proof union BHJ-G $\frac{3}{4}$ C		21	Post type G1 $\frac{1}{2}$ "(Bend type)	
11	Explosion-proof emergency unit	Equipped by user	22	Pipe clamp G1	