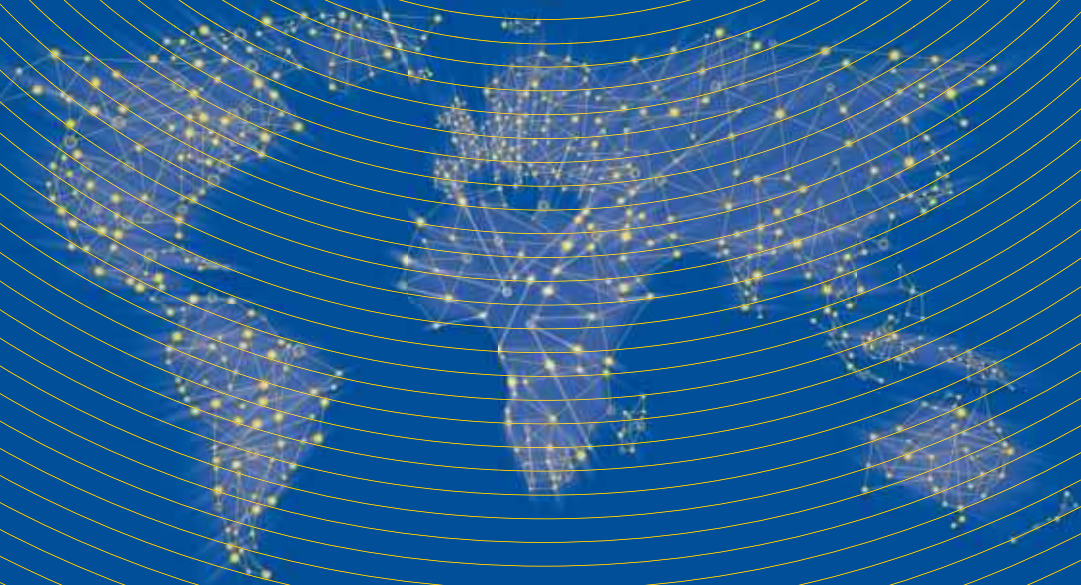




GENERAL  
**CATALOGUE**

2014-2015



***Palazzoli***  
*Leading Electrotechnology*

**Stitech Co., Ltd**  
**Tel: 080-556-5553**



Suitable for wine cellars, port areas, airports, cold rooms and industrial facilities.



## TAIS series

Interlocked sockets with increased security

**Stitech Co., Ltd**  
**Tel: 080-556-5553**



The most complete system of interlocked sockets and isolator switches. You can install and forget !

### THE ADVANTAGES



All the products of the TAIS series are made of thermosetting (GRP), the material by Palazzoli that eliminates the propagation of flames, does not emit toxic gases and resists over time the reaction to chemical agents.



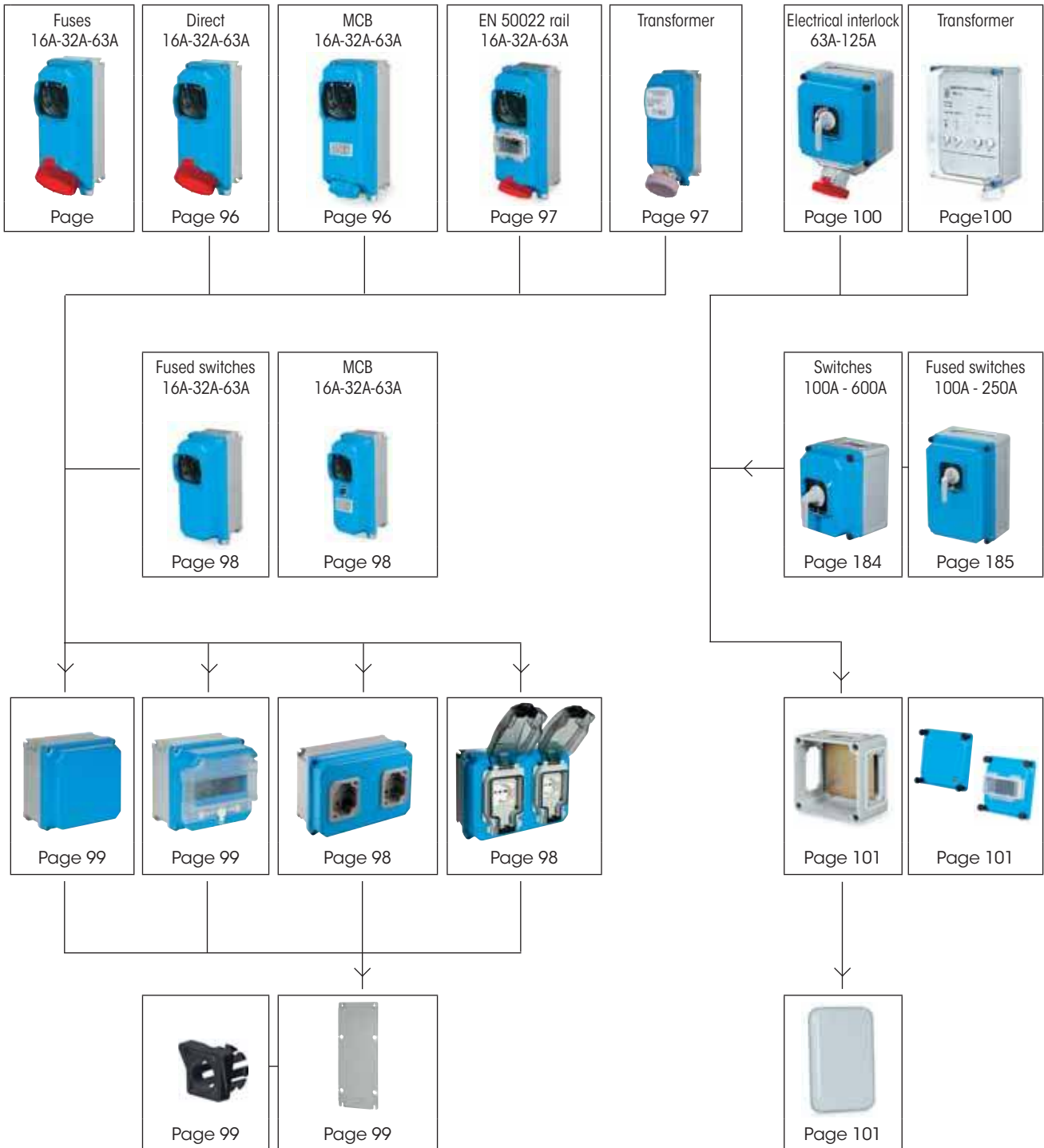
The TAIS "heart" is an isolator switch with the AC3-AC23A category at rated current that allows safe operation even with highly inductive loads.



The fuse-holder base in ceramic and interlock system in steel, which are tightly fixed on the bottom of the socket, are the best materials for the maximum safety.

TAIS operation is the only patented system that allows to identify the switch status even at far distance. It is predisposed to be padlocked in positions 0 and 1.





Easy Composer software allows for an easy combining of customized units. It is available on [www.palazzoli.com](http://www.palazzoli.com) or directly from the QR Code.



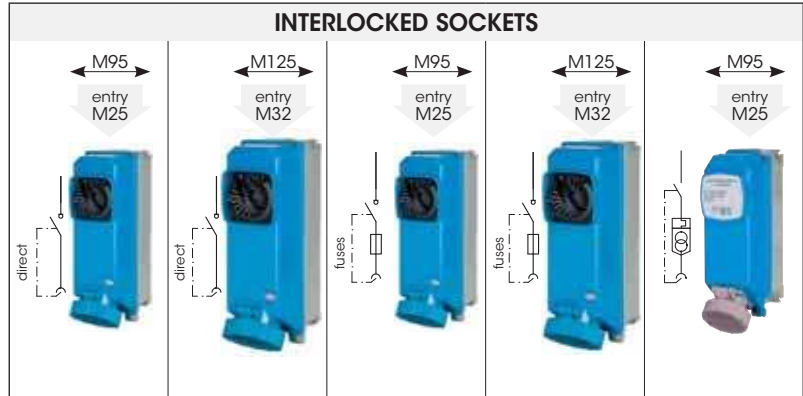


**COUPLING FITTINGS**



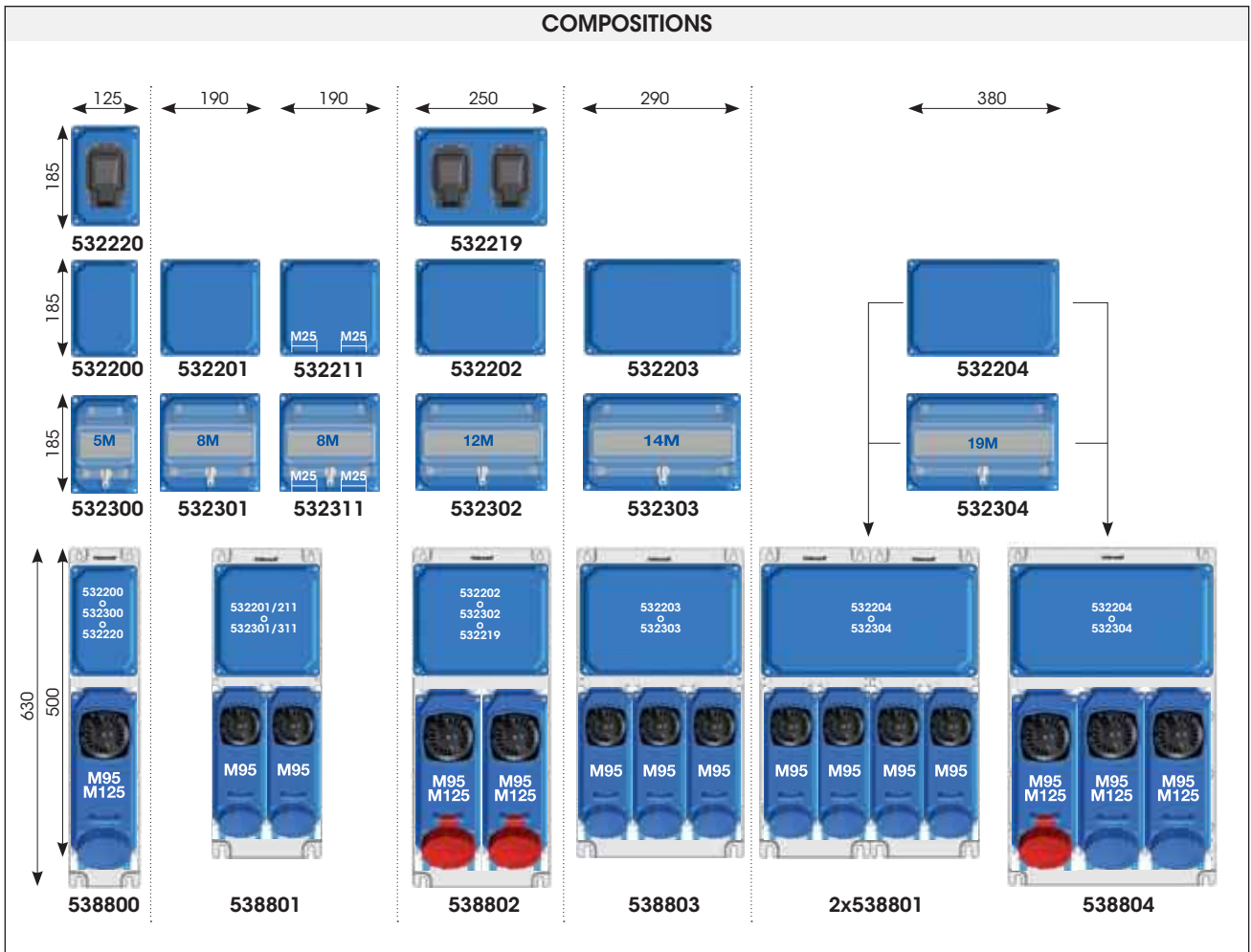
M25 **538425**  
M32 **538432**

**INTERLOCKED SOCKETS**



<b>16A</b>	230V	2P+⊕	<b>470126</b>	<b>472620</b>	
	400V	3P+⊕	<b>470136</b>	<b>472730</b>	
	400V	3P+N+⊕	<b>470146</b>	<b>472830</b>	
<b>32A</b>	230V	2P+⊕	<b>469226</b>	<b>468226</b>	
	400V	3P+⊕	<b>469236</b>	<b>468236</b>	
	400V	3P+N+⊕		<b>470246</b>	<b>472831</b>
<b>63A</b>	400V	3P+⊕	<b>470336</b>	<b>472732</b>	
	400V	3P+N+⊕	<b>470336</b>	<b>472832</b>	
<b>16A</b>	24V	2P 150 VA			<b>469873</b>

**COMPOSITIONS**





TAIS series low voltage switched sockets with mechanical or electrical interlock are a range of products in thermosetting (GRP) for heavy duty uses, in compliance with the IEC/EN 60309-1, IEC/EN 60309-2 and IEC/EN 60309-4 standards.

The system contains versions from 16A up to 125A, with or without fuses, with MCB integrated or with an EN 50022 rail that can be fitted with modular devices. All the sockets have an IP67 or IP66/IP67 protection rating and can be combined in compositions thanks to the boxes with blind cover or transparent window.

The versions above 32A are equipped with the Easy Contact receptacles to allow the best performance in time for the electric contact and to facilitate connection and disconnection operations.

The circuit protection, such as the fuses located in ceramic holder base and the MCBs fixed on EN 50022 rail, are tightly fixed on the bottom of the socket and accessible by opening the frontal lid made of thermosetting (GRP).

The interlock system is made of steel and the isolator switch is certified with the AC3-AC23A category at rated current.

**Rated operating current - isolator switch:**

			16A	32A	63A
<b>Thermal current Ith</b>		<b>A</b>	<b>16</b>	<b>32</b>	<b>63</b>
AC21A	415V	A	16	32	63
	500V				
AC22A	415V	A	16	32	63
	500V				
AC23A	230V	A	16	32	63
	400V				
	500V				
AC23A	230V	kW	4,5	8,5	20
	400V		7,5	15	34
	500V		8,5	17	44
AC3	230V	kW	4,5	8,5	18
	400V		7,5	15	31
	500V		8,5	17	40

**Terminal specifications:**

		16A	32A	63A
Entry diameters	mm <sup>2</sup>	1 - 10	6 - 16	
Entry sections	Nm	2		

Conformity to standards	<b>IEC/EN 60309-1 IEC/EN 60309-2 IEC/EN 60309-4 IEC/EN 60947-3</b>
Body material	<b>Thermosetting (GRP)</b>
Protection rating (IP as per IEC/EN 60529)	<b>IP66/IP67 (Module 95) IP67 (Module 125-250)</b>
Colour	<b>RAL5015 (cover) RAL7042 (base)</b>
Resistance to abnormal heat and fire ("Glow Wire" as per IEC/EN 60695-2-10)	<b>960°C</b>
Self-extinguishing grade (as per UL94)	<b>V0</b>
Resistance to impacts (IK rating as per IEC/EN 62262)	<b>IK10</b>
Rated current	<b>16A - 32A - 63A - 125A</b>
Rated voltage	<b>24V - 690V</b>
Rated frequency	<b>50-60Hz</b>
Rated insulation voltage	<b>690V</b>
Insulation class	<b>II □</b>
Storage temperature	<b>-50°C - +80°C</b>
Operating temperature	<b>-25°C - +50°C</b>



**Resistance to chemical agents**

WATER	SALINE ATMOSPHERES	ACIDS		CHEMICAL BASES		SOLVENTS			
		CONCENTRATED	DILUTED	CONCENTRATED	DILUTED	ALCOHOL	ACETONE	PERCHLOROETHYLENE	BENZENE
↑	↑	→	↑	↑	↑	↑	↑	↑	↑
OILS		FATS		AMMONIA	OXIDIZERS	INORGANIC SALTS	GASOLINE	DETERGENTS	U.V. RAYS
MINERAL	VEGETABLE	ANIMAL	SYNTETIC						
↑	↑	↑	↑	↑	↑	↑	↑	↑	↑

Legend: ↑ high resistance → partial resistance



MODULE 95



**Switched sockets**  
in thermosetting (GRP) with  
mechanical **interlock** and  
**fuse-holder**, for wall mounting  
**IP66/IP67**

Rated current (A)	Frequency	Rated voltage	Voltage colour	Poles	h. ref.	Palazzoli code	Pack Q.ty
16 entry M25	50-60Hz	110V	●	2P+⊕	4	<b>472610</b>	1
	50-60Hz	110V	●	3P+⊕	4	<b>472710</b>	1
fuses E16 NDZ	50-60Hz	110V	●	3P+N+⊕	4	<b>472810</b>	1
	50-60Hz	230V	●	2P+⊕	6	<b>472620</b>	1
	50-60Hz	230V	●	3P+⊕	9	<b>472720</b>	1
	50-60Hz	230V	●	3P+N+⊕	9	<b>472820</b>	1
	50-60Hz	400V	●	2P+⊕	9	<b>472630</b>	1
	50-60Hz	400V	●	3P+⊕	6	<b>472730</b>	1
	50-60Hz	400V	●	3P+N+⊕	6	<b>472830</b>	1
	50-60Hz	500V	●	3P+⊕	7	<b>472750</b>	1
	50-60Hz	500V	●	3P+N+⊕	7	<b>472840</b>	1
	50-60Hz	>50V *	●	2P+⊕	12	<b>472640</b>	1
	50-60Hz	>50V *	●	3P+⊕	12	<b>472760</b>	1
	100-300Hz	>50V	●	2P+⊕	10	<b>472650</b>	1
	100-300Hz	>50V	●	3P+⊕	10	<b>472780</b>	1
100-300Hz	>50V	●	3P+N+⊕	10	<b>472870</b>	1	
>300-500Hz	>50V	●	2P+⊕	2	<b>472660</b>	1	
>300-500Hz	>50V	●	3P+⊕	2	<b>472790</b>	1	
>300-500Hz	>50V	●	3P+N+⊕	2	<b>472880</b>	1	
60Hz	440÷460V	●	3P+⊕	11	<b>472740</b>	1	
60Hz	440÷460V	●	3P+N+⊕	11	<b>472850</b>	1	
DC	>50÷250V	●	2P+⊕	3	<b>472670</b>	1	
32	50-60Hz	110V	●	2P+⊕	4	<b>468224</b>	1
	50-60Hz	110V	●	3P+⊕	4	<b>468234</b>	1
	50-60Hz	230V	●	2P+⊕	6	<b>468226</b>	1
entry M25	50-60Hz	230V	●	3P+⊕	9	<b>468239</b>	1
	50-60Hz	400V	●	2P+⊕	9	<b>468229</b>	1
fuses E16 NDZ	50-60Hz	400V	●	3P+⊕	6	<b>468236</b>	1
	50/60Hz	380/440V	●	3P+⊕	3	<b>468233</b>	1

**Characteristics:** handle predisposed to be padlocked. Fuses not included.

**Notes:** special configurations upon request.

**Technical accessories:**



MODULE 125



**Switched sockets**  
in thermosetting (GRP) with  
mechanical **interlock** and  
**fuse-holder**, for wall mounting  
**IP67**



Rated current (A)	Frequency	Rated voltage	Voltage colour	Poles	h. ref.	Palazzoli code	Pack Q.ty
32 entry M32	50-60Hz	110V	●	2P+⊕	4	<b>472611</b>	1
	50-60Hz	110V	●	3P+⊕	4	<b>472711</b>	1
fuses E33 Dill	50-60Hz	110V	●	3P+N+⊕	4	<b>472811</b>	1
	50-60Hz	230V	●	2P+⊕	6	<b>472621</b>	1
	50-60Hz	230V	●	3P+⊕	9	<b>472721</b>	1
	50-60Hz	230V	●	3P+N+⊕	9	<b>472821</b>	1
	50-60Hz	400V	●	2P+⊕	9	<b>472631</b>	1
	50-60Hz	400V	●	3P+⊕	6	<b>472731</b>	1
	50-60Hz	400V	●	3P+N+⊕	6	<b>472831</b>	1
	50-60Hz	500V	●	3P+⊕	7	<b>472751</b>	1
	50-60Hz	500V	●	3P+N+⊕	7	<b>472841</b>	1
	50-60Hz	690V	●	3P+⊕	5	<b>472754</b>	1
	50-60Hz	690V	●	3P+N+⊕	5	<b>472854</b>	1
	50-60Hz	>50V *	●	2P+⊕	12	<b>472641</b>	1
	50-60Hz	>50V *	●	3P+⊕	12	<b>472761</b>	1
100-300Hz	>50V	●	2P+⊕	10	<b>472651</b>	1	
100-300Hz	>50V	●	3P+⊕	10	<b>472781</b>	1	
100-300Hz	>50V	●	3P+N+⊕	10	<b>472871</b>	1	
>300-500Hz	>50V	●	2P+⊕	2	<b>472661</b>	1	
>300-500Hz	>50V	●	3P+⊕	2	<b>472791</b>	1	
>300-500Hz	>50V	●	3P+N+⊕	2	<b>472881</b>	1	
60Hz	440÷460V	●	3P+⊕	11	<b>472741</b>	1	
60Hz	440÷460V	●	3P+N+⊕	11	<b>472851</b>	1	
DC	>50÷250V	●	2P+⊕	3	<b>472671</b>	1	
50/60Hz	380/440V	●	3P+⊕	3	<b>472771</b>	1	
	380/440V	●	3P+N+⊕	3	<b>472861</b>	1	
63 entry M32	50-60Hz	110V	●	2P+⊕	4	<b>472612</b>	1
	50-60Hz	110V	●	3P+⊕	4	<b>472712</b>	1
fuses E33 Dill	50-60Hz	110V	●	3P+N+⊕	4	<b>472812</b>	1
	50-60Hz	230V	●	2P+⊕	6	<b>472622</b>	1
	50-60Hz	230V	●	3P+⊕	9	<b>472722</b>	1
	50-60Hz	230V	●	3P+N+⊕	9	<b>472822</b>	1
	50-60Hz	400V	●	2P+⊕	9	<b>472632</b>	1
	50-60Hz	400V	●	3P+⊕	6	<b>472732</b>	1
	50-60Hz	400V	●	3P+N+⊕	6	<b>472832</b>	1
	50-60Hz	500V	●	3P+⊕	7	<b>472752</b>	1
	50-60Hz	500V	●	3P+N+⊕	7	<b>472842</b>	1
	50-60Hz	690V	●	3P+⊕	5	<b>472755</b>	1
	50-60Hz	690V	●	3P+N+⊕	5	<b>472855</b>	1
	50-60Hz	>50V *	●	2P+⊕	12	<b>472642</b>	1
	50-60Hz	>50V *	●	3P+⊕	12	<b>472762</b>	1
60Hz	440÷460V	●	3P+⊕	11	<b>472742</b>	1	
60Hz	440÷460V	●	3P+N+⊕	11	<b>472852</b>	1	
DC	>50÷250V	●	2P+⊕	3	<b>472672</b>	1	

**Characteristics:** handle predisposed to be padlocked. Fuses not included.

**Notes:** special configurations upon request.

**Technical accessories:**



Module 125 sockets are predisposed for bottom entry



**MODULE 125**



**Switched sockets** in thermosetting (GRP) with mechanical **interlock** and **MCB**, for wall mounting **IP67**



Rated current (A)	Frequency	Rated voltage	Voltage colour	Poles	h. ref.	Palazzoli code	Pack Q.ty	
16 entry M25	50-60Hz	110V	Yellow	2P+⊕	4	<b>474210</b>	1	
	50-60Hz	110V	Yellow	3P+⊕	4	<b>474310</b>	1	
	50-60Hz	110V	Yellow	3P+N+⊕	4	<b>474410</b>	1	
MCB 4.5kA curve C	50-60Hz	230V	Blue	2P+⊕	6	<b>474220</b>	1	
	50-60Hz	230V	Blue	3P+⊕	9	<b>474320</b>	1	
	50-60Hz	230V	Blue	3P+N+⊕	9	<b>474420</b>	1	
	50-60Hz	400V	Red	2P+⊕	9	<b>474230</b>	1	
	50-60Hz	400V	Red	3P+⊕	6	<b>474330</b>	1	
	50-60Hz	400V	Red	3P+N+⊕	6	<b>474430</b>	1	
	60Hz	440÷460V	Red	3P+⊕	11	<b>474340</b>	1	
	60Hz	440÷460V	Red	3P+N+⊕	11	<b>474450</b>	1	
	32 entry M32	50-60Hz	110V	Yellow	2P+⊕	4	<b>474611</b>	1
		50-60Hz	110V	Yellow	3P+⊕	4	<b>474711</b>	1
50-60Hz		110V	Yellow	3P+N+⊕	4	<b>474811</b>	1	
50-60Hz		230V	Blue	2P+⊕	6	<b>474621</b>	1	
50-60Hz		230V	Blue	3P+⊕	9	<b>474721</b>	1	
50-60Hz		230V	Blue	3P+N+⊕	9	<b>474821</b>	1	
MCB 6kA curve C	50-60Hz	400V	Red	2P+⊕	9	<b>474631</b>	1	
	50-60Hz	400V	Red	3P+⊕	6	<b>474731</b>	1	
	50-60Hz	400V	Red	3P+N+⊕	6	<b>474831</b>	1	
	60Hz	440÷460V	Red	3P+⊕	11	<b>474741</b>	1	
	60Hz	440÷460V	Red	3P+N+⊕	11	<b>474851</b>	1	
	50/60Hz	380/440V	Red	3P+⊕	3	<b>474771</b>	1	
63 entry M32	50-60Hz	110V	Yellow	2P+⊕	4	<b>474612</b>	1	
	50-60Hz	110V	Yellow	3P+⊕	4	<b>474712</b>	1	
	50-60Hz	110V	Yellow	3P+N+⊕	4	<b>474812</b>	1	
	50-60Hz	230V	Blue	2P+⊕	6	<b>474622</b>	1	
MCB 10kA curve C	50-60Hz	230V	Blue	3P+⊕	9	<b>474722</b>	1	
	50-60Hz	230V	Blue	3P+N+⊕	9	<b>474822</b>	1	
	50-60Hz	400V	Red	2P+⊕	9	<b>474632</b>	1	
	50-60Hz	400V	Red	3P+⊕	6	<b>474732</b>	1	
	50-60Hz	400V	Red	3P+N+⊕	6	<b>474832</b>	1	
	60Hz	440÷460V	Red	3P+⊕	11	<b>474742</b>	1	
60Hz	440÷460V	Red	3P+N+⊕	11	<b>474852</b>	1		

**Characteristics:** handle predisposed to be padlocked. Lamp indicating presence of voltage.  
**Notes:** special configurations upon request.

**Technical accessories:**



Module 125 sockets are predisposed for bottom entry

**MODULE 95**



**Switched sockets** in thermosetting (GRP) with mechanical **interlock**, for wall mounting 50-60Hz **IP66/IP67**

Rated current (A)	Rated voltage	Voltage colour	Poles	h. ref.	Palazzoli code	Pack Q.ty
16 entry M25	230V	Blue	2P+⊕	6	<b>470126</b>	1
	400V	Red	3P+⊕	6	<b>470136</b>	1
	400V	Red	3P+N+⊕	6	<b>470146</b>	1
32 entry M25	230V	Blue	2P+⊕	6	<b>469226</b>	1
	400V	Red	3P+⊕	6	<b>469236</b>	1
	380/440V	Red	3P+⊕	3	<b>469233</b>	1

**Characteristics:** handle predisposed to be padlocked.  
**Notes:** special configurations upon request.

**MODULE 125**



**Switched sockets** in thermosetting (GRP) with mechanical **interlock**, for wall mounting 50-60Hz **IP67**



Rated current (A)	Rated voltage	Voltage colour	Poles	h. ref.	Palazzoli code	Pack Q.ty
16 entry M25	110V	Yellow	2P+⊕	4	<b>467124</b>	1
	230V	Blue	2P+⊕	6	<b>467126</b>	1
	400V	Red	3P+⊕	6	<b>467136</b>	1
	400V	Red	3P+N+⊕	6	<b>467146</b>	1
32 entry M32	230V	Blue	2P+⊕	6	<b>470226</b>	1
	400V	Red	3P+⊕	6	<b>470236</b>	1
	400V	Red	3P+N+⊕	6	<b>470246</b>	1
	380/440V	Red	3P+⊕	3	<b>470233</b>	1
63 entry M32	230V	Blue	2P+⊕	6	<b>470326</b>	1
	400V	Red	3P+⊕	6	<b>470336</b>	1
	400V	Red	3P+N+⊕	6	<b>470346</b>	1

**Characteristics:** handle predisposed to be padlocked.  
**Notes:** special configurations upon request.

**Technical accessories:**



Module 125 sockets are predisposed for bottom entry





**MODULE 125**



**Switched sockets** in thermosetting (GRP) with mechanical **interlock and EN 50022 rail**, for wall mounting 50-60Hz **IP67**



Rated current (A)	Rated voltage	Voltage colour	Poles	h. ref.	Palazzoli code	Pack Q.ty
16 entry M25 4 modules	230V		2P+≐	6	<b>472020</b>	1
	400V		3P+≐	6	<b>472130</b>	1
	400V		3P+N+≐	6	<b>472240</b>	1
32 entry M32 4 modules	230V		2P+≐	6	<b>472021</b>	1
	400V		3P+≐	6	<b>472131</b>	1
	400V		3P+N+≐	6	<b>472241</b>	1
	380/440V		3P+≐	3	<b>472133</b>	1
63 entry M32 4 modules	230V		2P+≐	6	<b>472022</b>	1
	400V		3P+≐	6	<b>472132</b>	1
	400V		3P+N+≐	6	<b>472242</b>	1

**Equipment included:** all the sockets are pre-wired up to the EN 50022 rail.  
**Characteristics:** padlockable window and with tamper-proof screw.  
**Notes:** special configurations upon request.

**Technical accessories:**



**EASY COMPOSER**

Software for easy combining of customized units.



1. Select the socket type	2. Compose your board	3. Download the certificates

It is available on [www.palazzoli.com](http://www.palazzoli.com)



Module 125 sockets are predisposed for bottom entry

**MODULE 95**



**Sockets** in thermosetting (GRP) with safety **transformer (SELV)**, for wall mounting 50-60Hz **IP67**



Rated current (A)	Rated voltage	Poles	Power (VA)	Palazzoli code	Pack Q.ty
16 entry M25	230/24V	2P	150	<b>469873</b>	1

**Characteristics:** continuous class II duty safety transformer enabled by the plug-activated microswitch.

**MODULE 125**



**Sockets** in thermosetting (GRP) with safety **transformer (SELV)**, for wall mounting 50-60Hz **IP67**



Rated current (A)	Rated voltage	Poles	Power (VA)	Palazzoli code	Pack Q.ty
16 entry M25	230/24V	2P	144	<b>471873</b>	1
	400/24V	2P	144	<b>471893</b>	1

**Characteristics:** continuous class II duty safety transformer enabled by the plug-activated microswitch.

**Technical accessories:**





MODULE 95



**Switches**  
in thermosetting (GRP)  
with **fuse-holder base**  
for wall mounting  
**IP66/IP67**

Rated current (A)	Poles	Entry/exit	Palazzoli code	Pack Q.ty
16	3P	M25	<b>290163</b>	1
fuses E16 NDZ	4P	M25	<b>290164</b>	1
32	3P	M25	<b>290323</b>	1
fuses E33 NDZ	4P	M25	<b>290324</b>	1

**Characteristics:** handle predisposed to be padlocked. Fuses not included.

MODULE 125



**Switches**  
in thermosetting (GRP)  
with **fuse-holder base**  
for wall mounting  
**IP67**

Rated current (A)	Poles	Entry/exit	Palazzoli code	Pack Q.ty
63	3P	M32	<b>290762</b>	1
fuses E33 DIII	4P	M32	<b>290763</b>	1

**Characteristics:** handle predisposed to be padlocked. Fuses not included.

**Technical accessories:**



MODULE 125



**MCBs**  
in thermosetting (GRP)  
with **signalling lamp**,  
for wall mounting  
**IP67**

Rated current (A)	Poles	Entry/exit	Palazzoli code	Pack Q.ty
16	3P	M25	<b>291163</b>	1
MCB 4,5kA curve C	4P	M25	<b>291164</b>	1
32	3P	M32	<b>291323</b>	1
MCB 6kA curve C	4P	M32	<b>291324</b>	1
63	3P	M32	<b>291633</b>	1
MCB 10kA curve C	4P	M32	<b>291634</b>	1

**Characteristics:** handle predisposed to be padlocked.

**Technical accessories:**

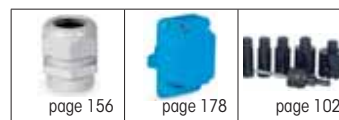


**Boxes**  
in thermosetting (GRP)  
predisposed for  
**TAIS-MIGNON** devices

External dimensions (mm)	Installable devices	Palazzoli code	Pack Q.ty
125x185	1	<b>532210</b>	1
250x185	2	<b>532209</b>	1

**Characteristics:** the box can be directly wall mounted or installed in compositions. Supplied with drilling template.

**Technical accessories:**



**Boxes**  
in thermosetting (GRP)  
with **P17/P30 schuko sockets**  
plugged-in in **watertight caps**  
**IP66**

External dimensions (mm)	Socket type	Palazzoli code	Pack Q.ty
125x185	1 x P30/P17	<b>532220</b>	1
250x185	2 x P30/P17	<b>532219</b>	1

**Characteristics:** the box can be directly wall mounted or installed in compositions. Supplied with drilling template.

**Technical accessories:**





**Boxes**  
in thermosetting (GRP)  
with **blind cover** for  
composition of socket boards  
**IP66/IP67**

External dimensions (mm)	Holes	Max number of installable sockets		Palazzoli code	Pack Q.ty
		Mod. 95	Mod. 125		
125x185x125	-	1	1	<b>532200</b>	1
190x185x125	-	2	-	<b>532201</b>	1
190x185x125	2xM25	2	-	<b>532211</b>	1
250x185x125	-	2	2	<b>532202</b>	1
290x185x125	-	3	-	<b>532203</b>	1
380x185x125	-	4	3	<b>532204</b>	1

**Equipment included:** code 532211 with 2 fittings M25 for rapid coupling.  
**Characteristics:** supplied with drilling template.



**Boxes**  
in thermosetting (GRP)  
with **transparent window** for  
composition of socket boards  
**IP66/IP67**

External dimensions (mm)	Holes	Max number of installable sockets		N. EN 50022 modules	Palazzoli code	Pack Q.ty
		Mod. 95	Mod. 125			
125x185x150	-	1	1	5	<b>532300</b>	1
190x185x150	-	2	-	8	<b>532301</b>	1
190x185x150	2xM25	2	-	8	<b>532311</b>	1
250x185x150	-	2	2	12	<b>532302</b>	1
290x185x150	-	3	-	14	<b>532303</b>	1
380x185x150	-	4	3	19	<b>532304</b>	1

**Equipment included:** code 532311 with 2 fittings M25 for rapid coupling.  
**Characteristics:** supplied with drilling template.

**Technical accessories:**

**Fitting for rapid coupling**  
in technopolymer, for  
composition of socket boards  
**IP66/IP67**

Hole type	Mounting hole (mm)	Max diameter for cable passage (mm)	Palazzoli code	Pack Q.ty
M25	25,5	16	<b>538425</b>	1
M32	32,5	20	<b>538432</b>	1



**Mounting plates**  
in thermosetting (GRP)  
with **guided system** for  
composition of socket boards

External dimensions (mm)	Max number of installable sockets		Palazzoli code	Pack Q.ty
	Mod. 95	Mod. 125		
125x630	1	1	<b>538800</b>	1
190x500	2	-	<b>538801</b>	1
250x630	2	2	<b>538802</b>	1
290x500	3	-	<b>538803</b>	1
380x630	3	3	<b>538804</b>	1

**Equipment included:** built-in threaded metal dowels, supplied with screws and stainless steel washers for fastening.



**Coupling fitting**  
for mounting plates

For plates code	Palazzoli code	Pack Q.ty
538701, 538702, 538703, 538711, 538712	<b>538791</b>	50

**Uses:** these snap-on devices are fixed into their housings on the base plates for interlocked socket-outlets.



MODULE 250



**Switched sockets** in thermosetting (GRP) with **electrical interlock and MCB**, for wall mounting 50-60Hz **IP65**



Rated current (A)	Rated voltage	Voltage colour	Poles	h. ref.	Palazzoli code	Pack Q.ty
63	400V	●	3P+⊕	6	<b>478336</b>	1
window b	400V	●	3P+N+⊕	6	<b>478346</b>	1
	500V	●	3P+⊕	7	<b>478337</b>	1
125	400V	●	3P+N+⊕	7	<b>478347</b>	1
	400V	●	3P+⊕	6	<b>478436</b>	1
window b	400V	●	3P+N+⊕	6	<b>478446</b>	1
	500V	●	3P+⊕	7	<b>478437</b>	1
500V	●	3P+N+⊕	7	<b>478447</b>	1	

**Characteristics:** complete with pilot contact for electrical interlock. The screws can be sealed.

MODULE 250



**Switched sockets** in thermosetting (GRP) with **electrical interlock, MCB and RCD**, for wall mounting 50-60Hz **IP65**



Rated current (A)	Rated voltage	Voltage colour	Poles	h. ref.	Palazzoli code	Pack Q.ty
63	400V	●	3P+⊕	6	<b>476336</b>	1
window b	400V	●	3P+N+⊕	6	<b>476346</b>	1
	500V	●	3P+⊕	7	<b>476337</b>	1
125	500V	●	3P+N+⊕	7	<b>476347</b>	1
	400V	●	3P+⊕	6	<b>476436</b>	1
window b	400V	●	3P+N+⊕	6	<b>476446</b>	1
	500V	●	3P+⊕	7	<b>476437</b>	1
500V	●	3P+N+⊕	7	<b>476447</b>	1	

**Characteristics:** complete with pilot contact for electrical interlock. The screws can be sealed.

**Technical accessories:**



MODULE 250



**Socket** in thermosetting (GRP) with safety **transformer (SELV)**, for wall mounting 50-60Hz **IP67**

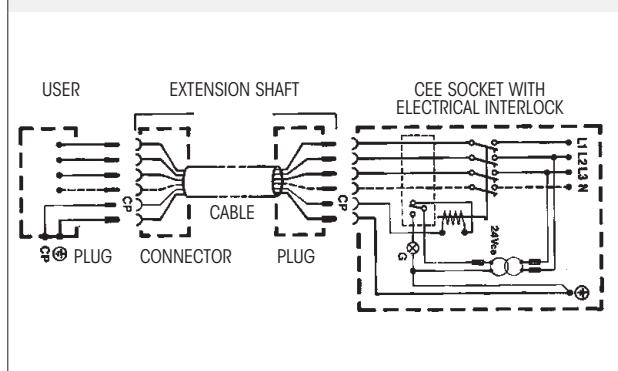
Rated current (A)	Rated voltage	Poles	h. ref.	Palazzoli code	Pack Q.ty
32	230/48V~	2P	720	<b>471819</b>	1
window b	400/48V~	2P	720	<b>471839</b>	1

**Characteristics:** continuous class II duty safety transformer enabled by the plug-activated microswitch. The screws can be sealed.

**Technical accessories:**



**CONNECTING SCHEME**



**ELECTRICALLY INTERLOCKED SOCKET PROTECTION CHARACTERISTICS**

<b>MCB</b>	
Rated impulse seal voltage $U_i$	500V
Rated impulse-withstand voltage $U_{imp}$	800V
Breaking capacity $I_{cu}$ (400V)	18kA
Breaking capacity $I_{cu}$ (500V)	8kA
Mechanical duration	25000 operations
Electrical duration	8000 operations
Overload protection regulation	0,7-1 x $I_n$
Short circuit protection	10 x $I_n$
Neutral protection	100%
<b>RCD</b>	
Protection type	A - AC
Operating voltage	85-500V
Operating frequency	45-66Hz
Failure frequency	50-60Hz
Intervention threshold regulation	0,03A - 0,1A - 0,3A - 0,5A - 1A - 3A
Intervention time	instantaneous





**Boxes**  
in thermosetting (GRP) for  
compositions of socket  
boards  
**IP67**

External dimensions (mm)	Window type	Installable socket module	Palazzoli code	Pack Q.ty
		2x95/2x125	<b>531220</b>	1
250x185x115		1 x Win. "b" 2x95/2x125/1x250	<b>531221</b>	1
		1 x Win. "b" 2x95/2x125/1x250	<b>531331</b>	1

**Equipment included:** back plate. Drilling template  
**Notes:** complete series at page 145.

**Technical accessories:**

**Blind covers**  
low, in thermosetting (GRP)  
for TAIS boxes  
**IP67**

For boxes with dimensions (mm)	Cover height (mm)	Palazzoli code	Pack Q.ty
250x185	25	<b>535321</b>	1

**Equipment included:** screws that can be sealed.



**Windowed covers**  
in polycarbonate  
for TAIS boxes  
**IP67**

For boxes with dimensions (mm)	Cover height (mm)	N. EN 50022 modules	Palazzoli code	Pack Q.ty
250x185	80	11	<b>535643</b>	1

**Equipment included:** screws that can be sealed, EN 50022 rail and screw for mounting on the plate.

**Characteristics:** padlockable window with tamper-proof screws.



**Blind flanges**  
flat, in thermosetting (GRP),  
for windowed walls  
**IP67**

Type	Window dimensions (mm)	Flange height (mm)	Palazzoli code	Pack Q.ty
a	110x60	15	<b>538110</b>	2
b	175x60	15	<b>538210</b>	2

**Uses:** closing the cable entry windows. Holes can be made for applying cable glands.



**Blind flanges**  
raised, in thermosetting (GRP),  
for windowed walls  
**IP67**

Type	Window dimensions (mm)	Flange height (mm)	Palazzoli code	Pack Q.ty
a	110x60	45	<b>538130</b>	2
b	175x60	45	<b>538230</b>	2

**Uses:** closing the cable entry windows.  
Holes can be drilled for applying cable glands.  
The increased height aids entry of large cables or pipes and facilitates easier cabling.

**Technical accessories:**

**Supports for bus bars**  
for TAIS boxes

Installable on window type	Installable bus bars (mm)	Palazzoli code	Pack Q.ty
a	3 of 16x4 (16x5 - 20x4 - 20x5), 2 of 16x4 (earth and neutral), 3 of ø 9 (auxiliary circuits)	<b>538180</b>	1
b	3 of 25x5 (25x6 - 32x5 - 32x6), 2 of 25x5 (earth and neutral) 3 of ø 11 (auxiliary circuits)	<b>538280</b>	1

**Uses:** used for locating conducting busbars – suited only to the TAIS range with windows type "a" and "b".

**Back plates**  
in galvanized steel  
for junction boxes

For quick mounting boxes with dimensions (mm)	Palazzoli code	Pack Q.ty
125x185	<b>532700</b>	1
190x185	<b>532701</b>	1
250x185	<b>532702</b>	1
290x185	<b>532703</b>	1
380x185	<b>532704</b>	1

**Uses:** for fastening terminal blocks or non-modular fixtures.**Tamper-proof kit**  
for sealing

Screw type	Description	Palazzoli code	Pack Q.ty
M5x20	stainless steel screws	<b>532100</b>	1

**Characteristics:** cylindrical head hexagonal slot screws and 90° double crossed drilling.**Milling cutters**, cup shaped, in steel, for quick drill connection, tungsten carbide gear teeth, specific for thermosetting

Hole type	Diameter (mm)	Palazzoli code	Pack Q.ty
Pg13,5	20	<b>538400</b>	1
Pg16	22		
Pg21	29		
Pg29	38		
Pg36	46	<b>538410</b>	1
M20	20,5		
M25	25,5		
M32	32,5		
M40	40,5		

**Cable gland**  
in insulating material with **metric threading** with **long thread** **IP68**

Threading	Mounting hole (mm)	Closing diameter (mm)	Thread length (mm)	Palazzoli code	Pack Q.ty
M12x1,5	12,5	2,5-6,5	15	<b>581112</b>	100
M16x1,5	16,5	3,5-10	15	<b>581116</b>	50
M20x1,5	20,5	7-14	15	<b>581120</b>	50
M25x1,5	25,5	9-18	15	<b>581125</b>	25
M32x1,5	32,5	14-25	15	<b>581132</b>	20
M40x1,5	40,5	18-32	16	<b>581140</b>	10
M50x1,5	50,5	24-38,5	16	<b>581150</b>	5
M63x1,5	63,5	35-48	16	<b>581163</b>	5

**Locknuts**  
in insulating material with **metric threading**

Threading	Palazzoli code	Pack Q.ty
M12x1,5	<b>581212</b>	50
M16x1,5	<b>581216</b>	50
M20x1,5	<b>581220</b>	50
M25x1,5	<b>581225</b>	50
M32x1,5	<b>581232</b>	50
M40x1,5	<b>581240</b>	20
M50x1,5	<b>581250</b>	10
M63x1,5	<b>581263</b>	5

**Uses:** for fixing cable glands with metric thread on walls with holes.**Transparent lid**  
in polycarbonate for modular devices

N. EN 50022 modules	Dimensions (mm)	Palazzoli code	Pack Q.ty
4	92x84x30	<b>538610</b>	10
6,5 or 7,5	152x84x30	<b>538620</b>	10
9 or 11	214x84x30	<b>538630</b>	5

**Characteristics:** tamper-proof screws and padlockable window.



**Boxes**  
in thermosetting (GRP)  
with **blind cover** for  
compositions of socket  
boards  
**IP67**

External dimensions (mm)	Window type	Installable socket module	Power dissipation (W)	Palazzoli code	Pack Q.ty
125x125x125	Blind walls	95 / 125	13	<b>532016</b>	1
185x125x125	Blind walls	95 + 95	15	<b>532017</b>	1
250x125x125	Blind walls	125 + 125	20	<b>532018</b>	1

**Characteristics:** supplied with drilling template.



**Boxes**  
in thermosetting (GRP)  
with **transparent window** for  
compositions of socket  
boards  
**IP67**

External dimensions (mm)	Window type	Installable socket module	EN 50022 module number	Power dissipation (W)	Palazzoli code	Pack Q.ty
125x125x125	Blind walls	95 / 125	4	13	<b>532516</b>	1
185x125x125	Blind walls	95 + 95	6,5	15	<b>532557</b>	1
250x125x125	Blind walls	125 + 125	9	20	<b>532658</b>	1

**Characteristics:** supplied with drilling template.  
Padlockable window and with tamper-proof screws.

**Technical accessories:**



**Back plates**  
in galvanized steel  
for TAIS junction boxes

For boxes with dimensions	For boxes with code	Palazzoli code	Pack Q.ty
125x125	532016, 532016EX	<b>532716</b>	1
185x125	532017, 532017EX	<b>532717</b>	1
250x125	532018	<b>532718</b>	1

**Uses:** for fastening terminal blocks or non-modular devices.

**Technical accessories:**



**Adaptors**  
from Pg hole to metric hole  
**IP67**

Pg	From hole	Metric	To hole metric	Palazzoli code	Pack Q.ty
21		M25	M25	<b>538421</b>	1
29		M32	M32	<b>538429</b>	1
36		M40	M40	<b>538436</b>	1

**Characteristics:** they allow to couple sockets with Pg or Metric entry and viceversa.



**Mounting plates**  
in thermosetting (GRP) for  
composition of socket boards

Dimensions (mm)	N. installable socket	Installable device module	Palazzoli code	Pack Q.ty
185x501	2	2X95	<b>538703</b>	1
125x630	1	95/125	<b>538711</b>	1
250x630	2	125+125/125+95/95+125	<b>538712</b>	1

**Equipment included:** built-in threaded metal dowels, supplied with screws and stainless steel washers for fastening.